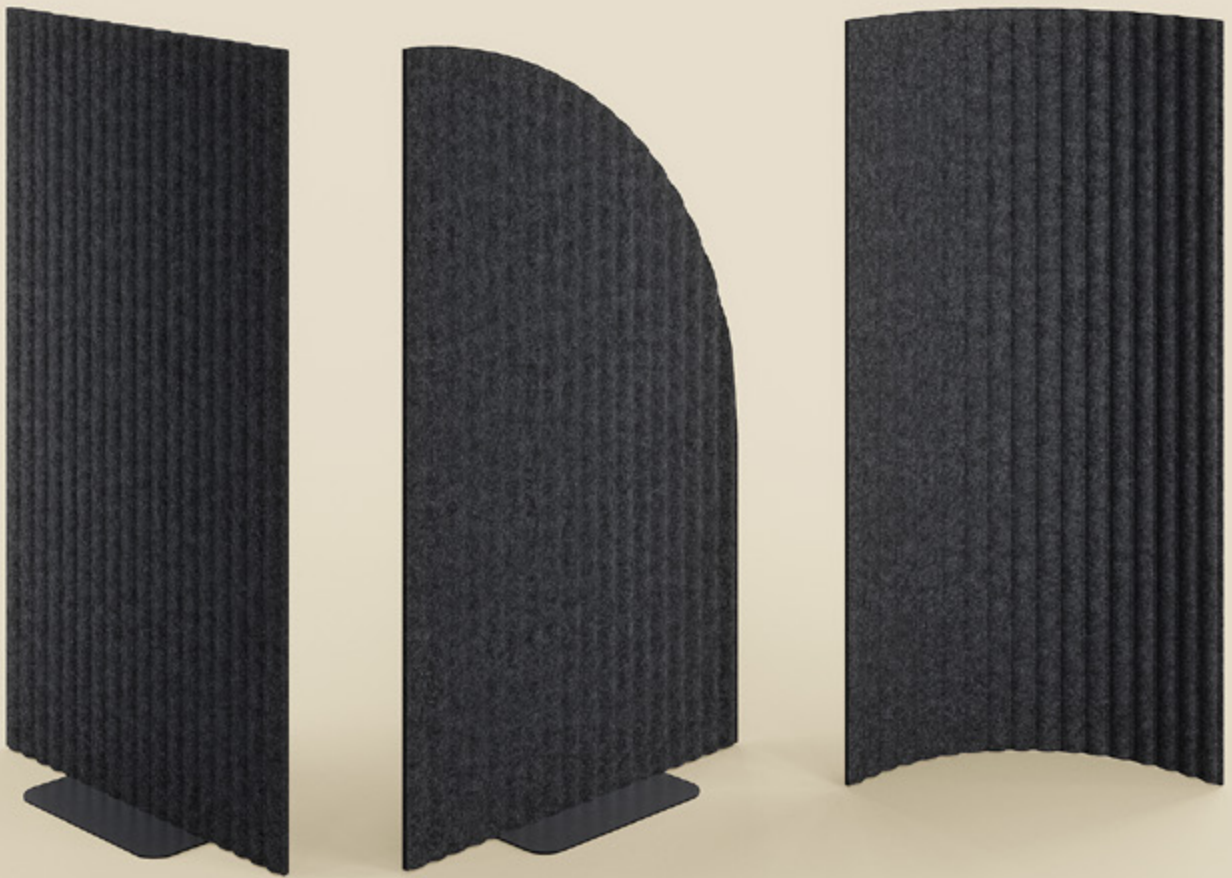


CALM



DESIGNER

- UNION Design
-

LEAD TIME

- 5 days
-

SPECIFICATIONS

Base

- 1/8" steel plate in black powder coat
- Two vertical rods to hold screens in place

Brackets

- Multiple joining bracket options to connect screens together

Screens

- Pressed fluted PET felt
 - Integrated slots for joining brackets
 - Slides on top of base
-

ACOUSTICS

- NRC = 0.8
 - SAA = 0.77
-

REGULATORY

- California TB 117 2013
-

SUSTAINABILITY

Indoor Air Quality Gold Certified through SCS Global

Steel

- 10% pre-consumer recycled content
- VOC-free powder coat

PET Felt

- Made from recycled plastic
- 100% recyclable at end of life

Cartons & Packaging

- 20% pre-consumer recycled content

CALM

MODEL

8100-RDE | Straight Screen, Rounded End



\$1746

Dimensions (w x d x h)

Screen | 36" x 0.95" x 60"

Base | 18" x 11"

Shipping

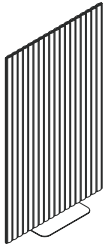
All pricing is FOB Louisville, KY.

Weight | 13lbs

LTL, UPS | 1/carton | 2.6 CF | 37" x 61" x 2"

MODEL

8100-SQE | Straight Screen, Square End



\$1625

Dimensions (w x d x h)

Screen | 36" x 0.95" x 60"

Base | 18" x 11"

Shipping

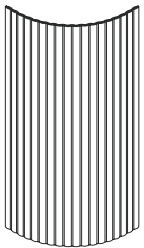
All pricing is FOB Louisville, KY.

Weight | 13lbs

LTL, UPS | 1/carton | 2.6 CF | 37" x 61" x 2"

MODEL

8100-CRV | Curved Screen



\$2246

Dimensions (w x d x h)

Overall | 21.3" x 21.3" x 60"

Radius | 34.5"

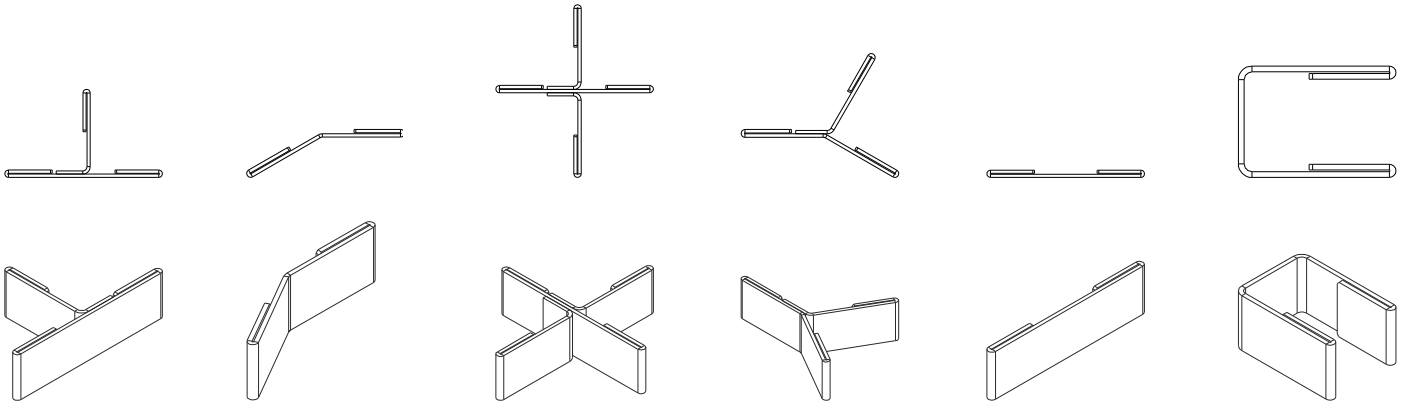
Shipping

All pricing is FOB Louisville, KY.

Weight | 13lbs

LTL, UPS | 1/carton | 14 CF | 36" x 61" x 11"

JOINING BRACKETS



8100-X02
T Connector
\$30

8100-X03
30° Angle Connector
\$30

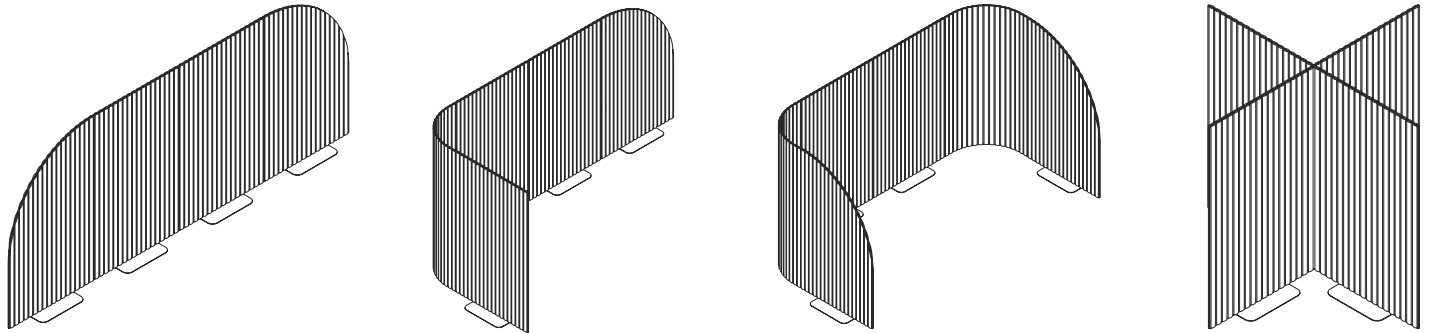
8100-X04
X Connector
\$30

8100-X05
Y Connector
\$30

8100-X06
Straight Connector
\$30

8100-X07
U Connector
\$30

EXAMPLE CONFIGURATIONS

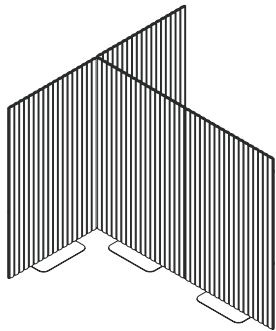


Straight

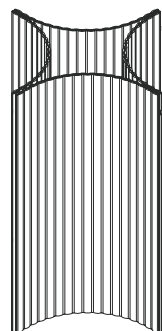
L-shaped

U-shaped

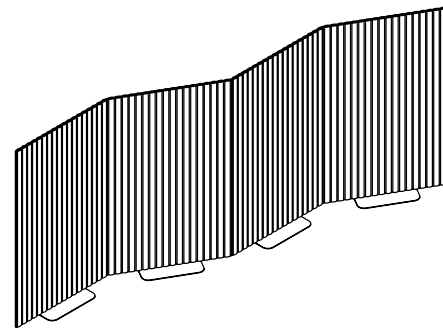
X-shaped



T-shaped



Star-shaped

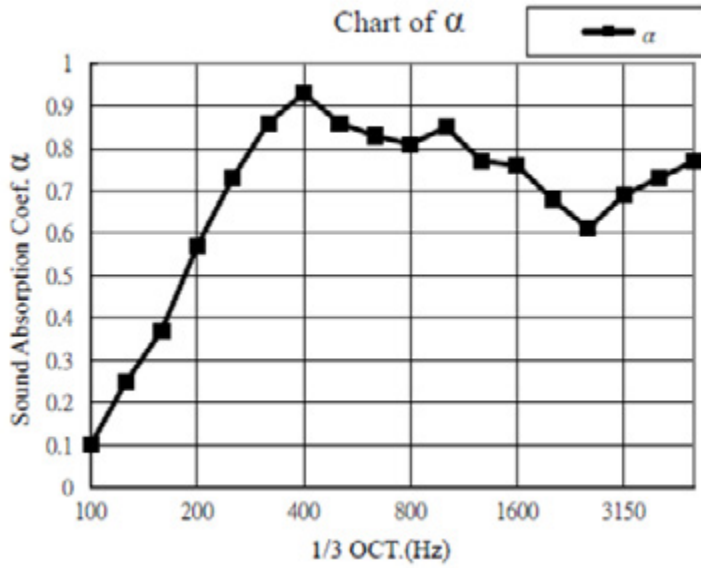


Zigzag

CALM

ACOUSTICS

Noise Reduction Coefficient = 0.8
Sound Absorption Average = 0.77

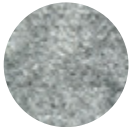


FINISHES

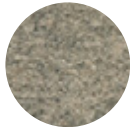
PET Felt



Charcoal
A17



Grey
A03



Stone
FC2110

Powder Coat



Black

HOW TO SPECIFY

1. Select model # for screen.
2. Select PET felt color.
3. Select model # for brackets, if planning a configuration.