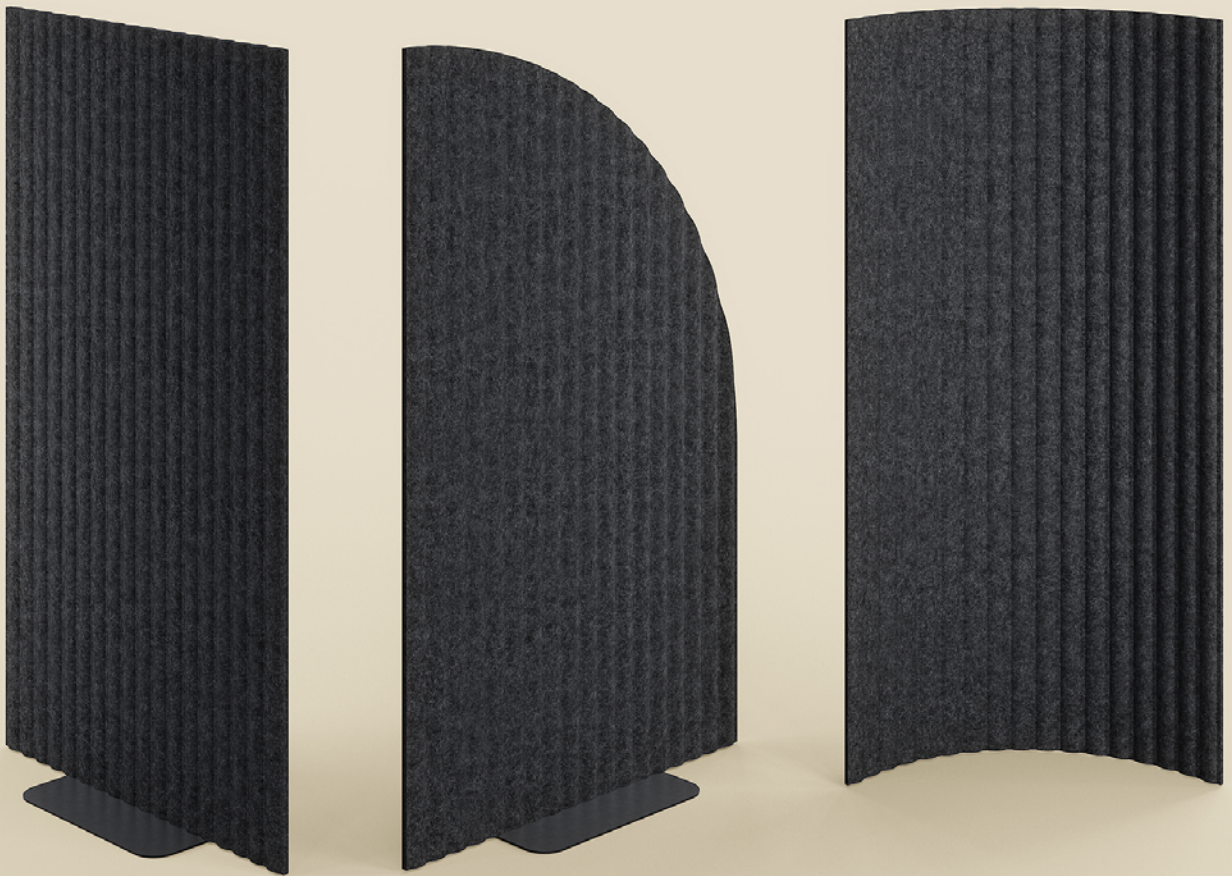


CALM



CALM

DESIGNER

- UNION Design

LEAD TIME

- 5 days

SPECIFICATIONS

- | | |
|--------------------------------------------------------------------------------------------------------------------------------------------------------------------------|--------------------------------------------------------------------------------------------------------------------------------|
| Base <ul style="list-style-type: none">- 1/8" steel plate in black powder coat- Two vertical rods to hold screens in place | Brackets <ul style="list-style-type: none">- Multiple joining bracket options to connect screens together |
| Screens <ul style="list-style-type: none">- Pressed fluted PET felt- Integrated slots for joining brackets- Slides on top of base | |
-

REGULATORY

- California TB 117 2013

SUSTAINABILITY

Indoor Air Quality Gold Certified through SCS Global

- Steel**
- 10% pre-consumer recycled content
 - VOC-free powder coat

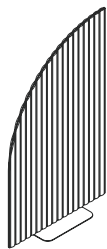
- PET Felt**
- Made from recycled plastic
 - 100% recyclable at end of life

- Cartons & Packaging**
- 20% pre-consumer recycled content



MODEL

8100-RDE | Straight Screen, Rounded End



\$1746

Dimensions (w x d x h)

Screen | 36" x 0.95" x 60"

Base | 18" x 11"

Shipping

All pricing is FOB Louisville, KY.

Weight | 13lbs

LTL, UPS | 1/carton | 2.6 CF | 37" x 61" x 2"

MODEL

8100-SQE | Straight Screen, Square End



\$1625

Dimensions (w x d x h)

Screen | 36" x 0.95" x 60"

Base | 18" x 11"

Shipping

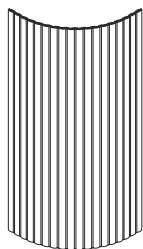
All pricing is FOB Louisville, KY.

Weight | 13lbs

LTL, UPS | 1/carton | 2.6 CF | 37" x 61" x 2"

MODEL

8100-CRV | Curved Screen



\$2246

Dimensions (w x d x h)

Overall | 21.3" x 21.3" x 60"

Radius | 34.5"

Shipping

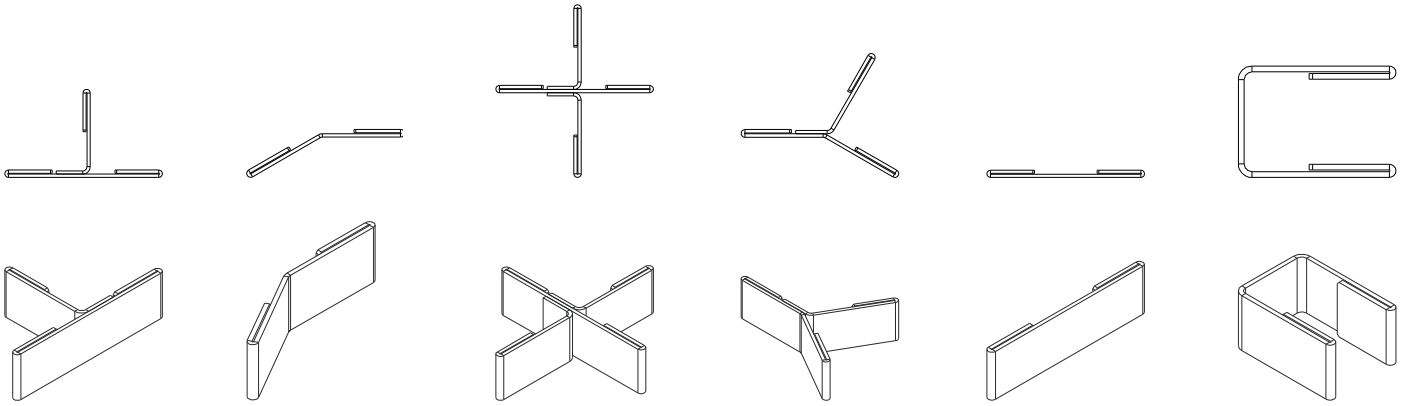
All pricing is FOB Louisville, KY.

Weight | 13lbs

LTL, UPS | 1/carton | 14 CF | 36" x 61" x 11"

CALM

JOINING BRACKETS



8100-X02
T Connector
\$30

8100-X03
30° Angle Connector
\$30

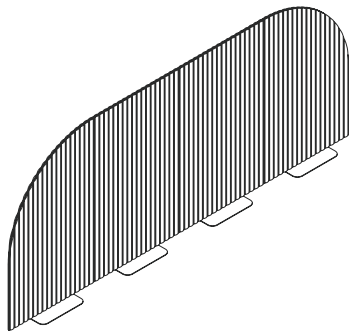
8100-X04
X Connector
\$30

8100-X05
Y Connector
\$30

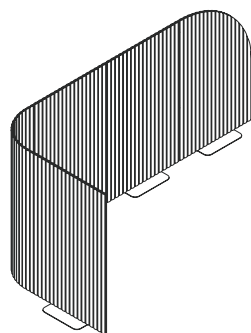
8100-X06
Straight Connector
\$30

8100-X07
U Connector
\$30

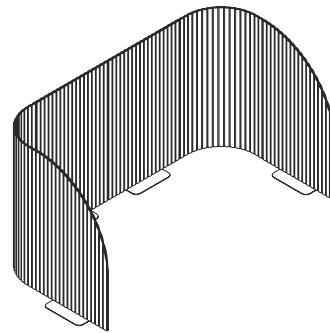
EXAMPLE CONFIGURATIONS



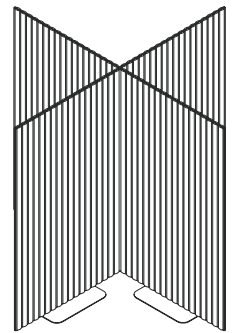
Straight



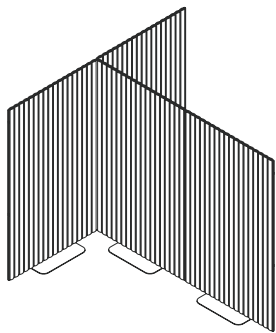
L-shaped



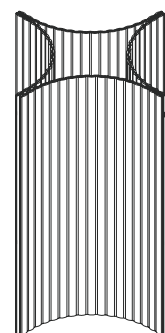
U-shaped



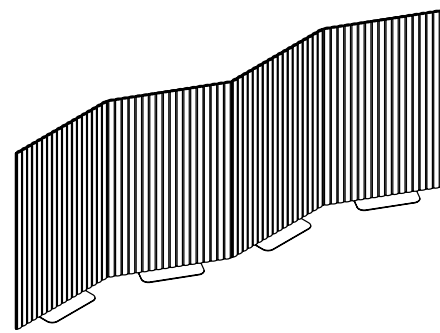
X-shaped



T-shaped



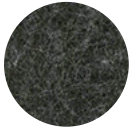
Star-shaped



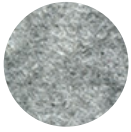
Zigzag

FINISHES

PET Felt



Charcoal
A17



Grey
A03



Stone
FC2110

Powder Coat



Black

HOW TO SPECIFY

1. Select model #for screen.
2. Select PET felt color.
3. Select model # for brackets, if planning a configuration.