



KFi STUDIOs | Avalon Swivel Table Assembly

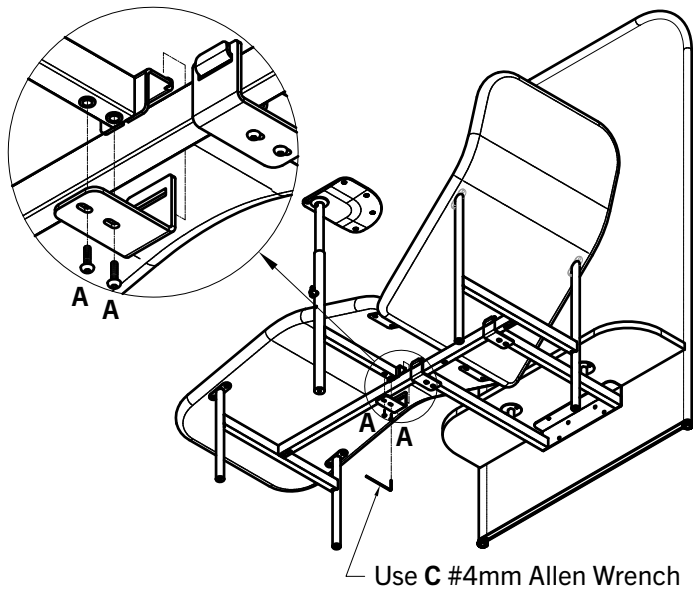
Hardware

A M6 x 16mm (5) 

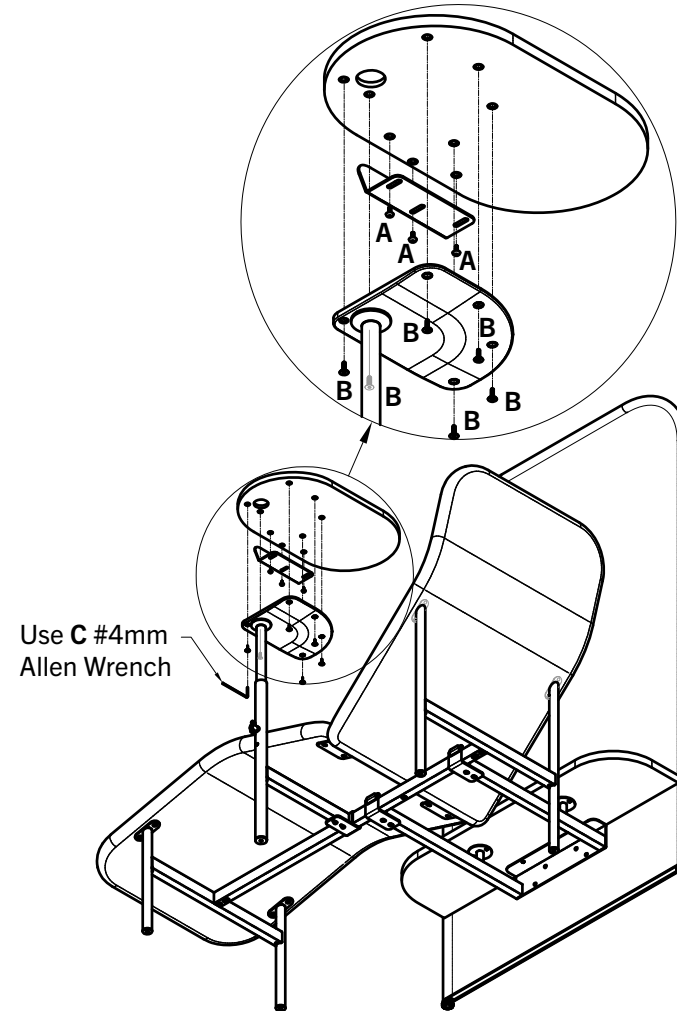
B M6 x 16mm (6) 

C #4mm Allen Wrench (1)

Step 1



Step 2



Putting together your new swivel table is easy! Please remove all items from box and ensure all components are present.

1-800-457-5073 | kfstudios.com