



KFi STUDIOs | Avalon Screen Assembly

Hardware

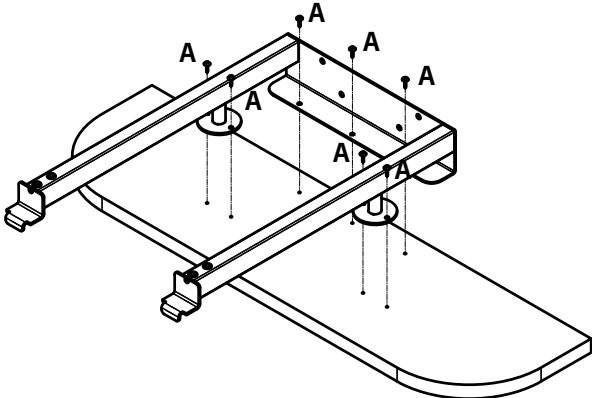
A $\phi 3/16'' \times 3/4''$ (7) 

B M6 x 20mm (4) 

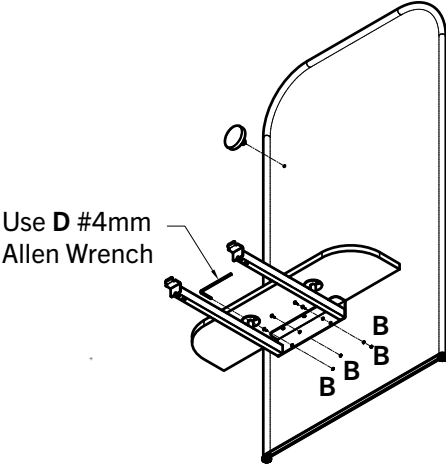
C M6 x 16mm (4) 

D #4mm Allen Wrench (1)

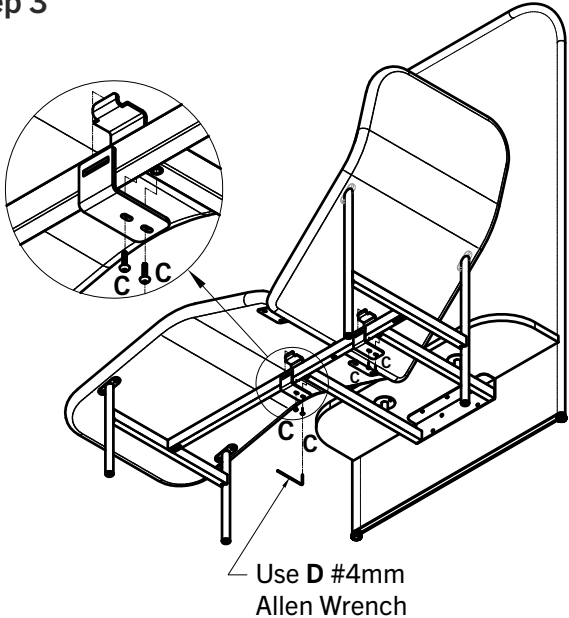
Step 1



Step 2



Step 3



Putting together your new screen is easy! Please remove all items from box and ensure all components are present.