





# KFi STUDIOS | Avalon Chaise Lounge Assembly


## Hardware

A M6 x 12mm (2) 

B M6 x 12mm (2) 

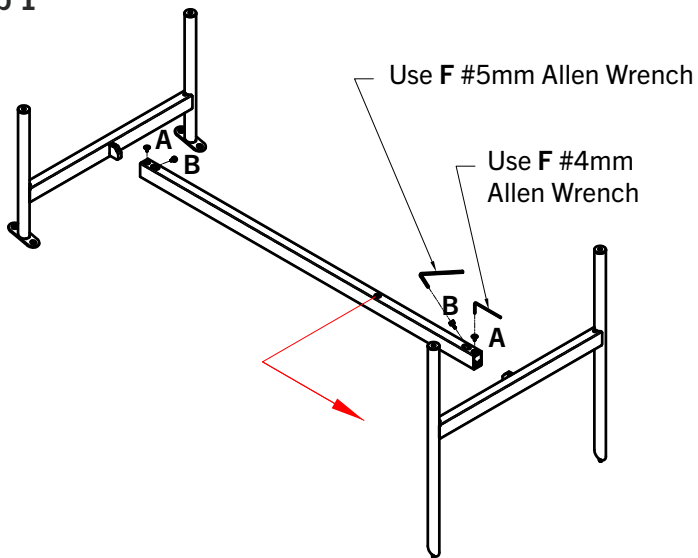
C M5 x 40mm (1) 

D M5 x 16mm (4) 

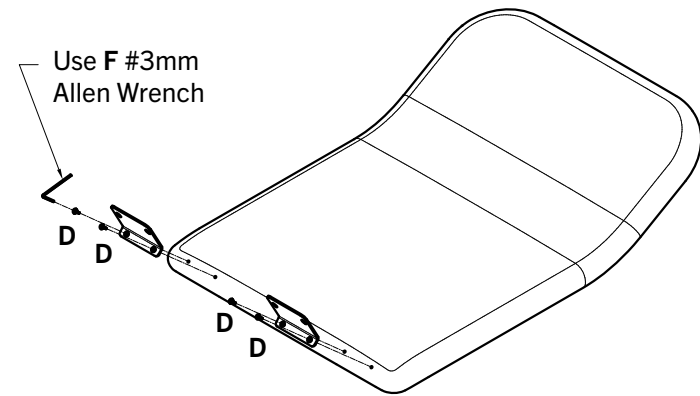
E M6 x 25mm (8) 

F #3mm, #4mm, #5mm, #6mm Allen Wrench (1)

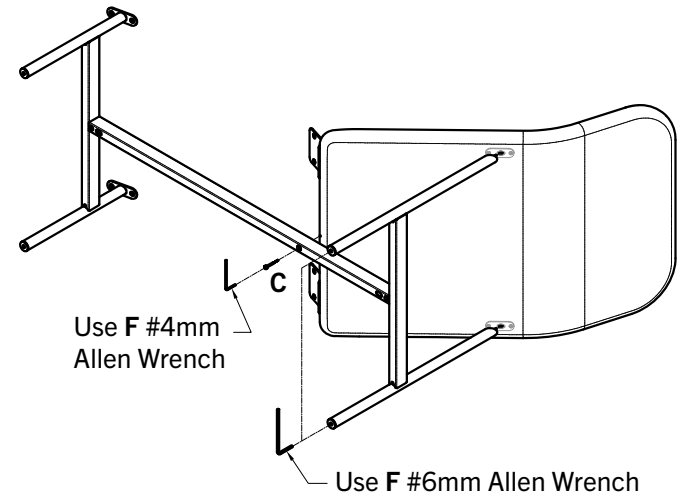
## Step 1



## Step 2



## Step 3

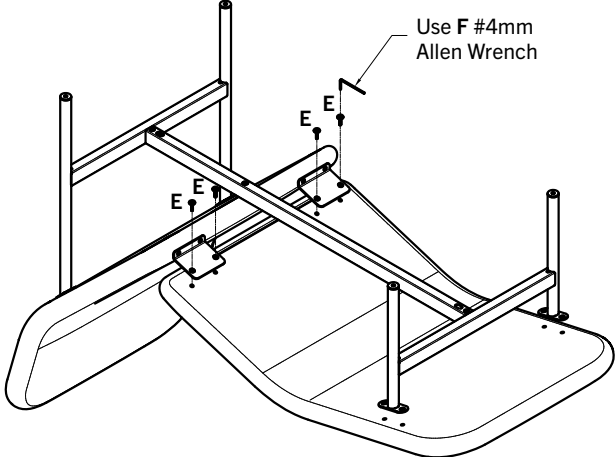


Putting together your new chair is easy! Please remove all items from box and ensure all components are present.

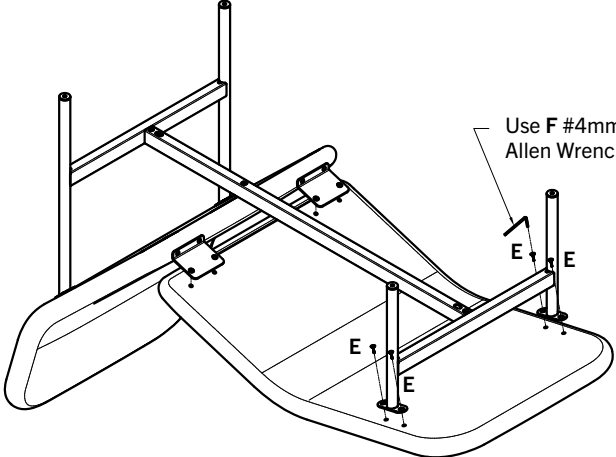
1-800-457-5073 | [kfstudios.com](http://kfstudios.com)

# KFi STUDIOs | Avalon Chaise Lounge Assembly

Step 4



Step 5



Putting together your new chair is easy! Please remove all items from box and ensure all components are present.

1-800-457-5073 | kfistudios.com