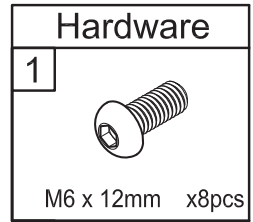
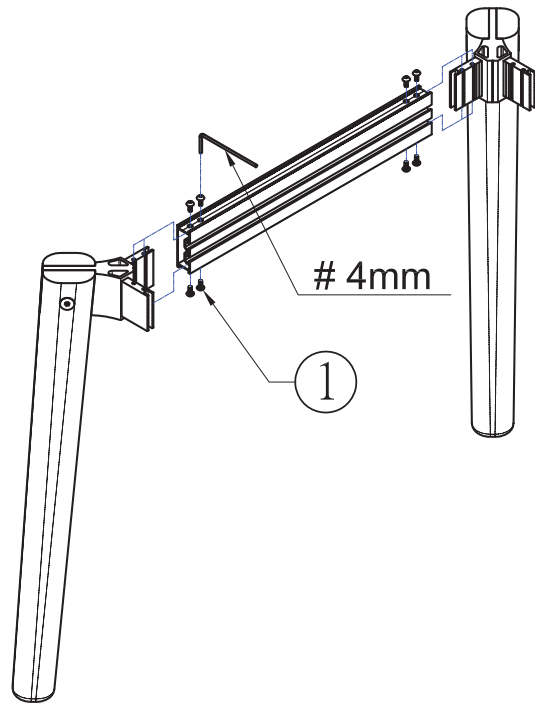
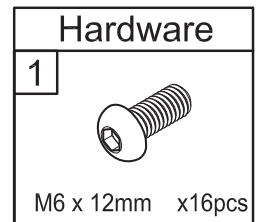
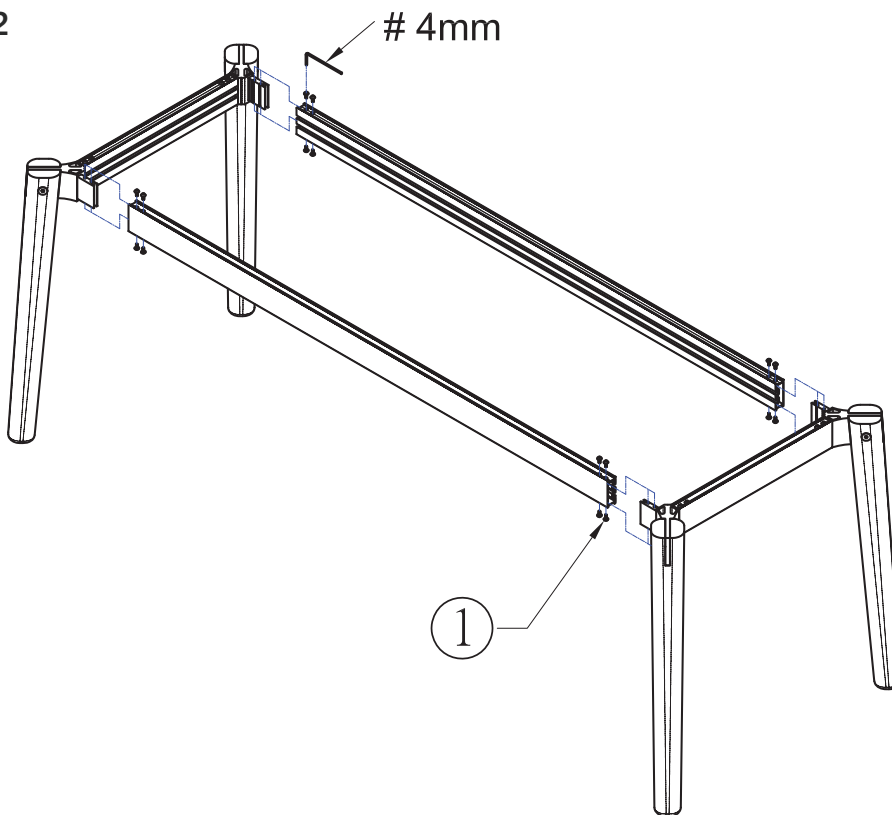


# KFi STUDIOS | Voodoo Rectangle BV3672-29 Table Assembly

## Step 1



## Step 2

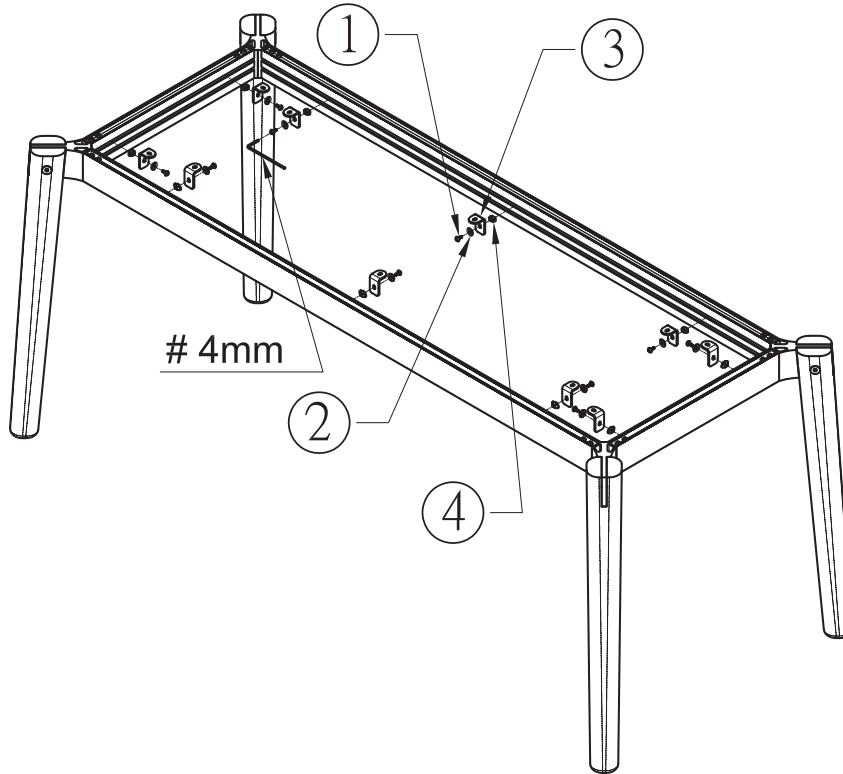


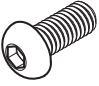

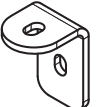

Putting together your new table is easy! Please remove all items from box and ensure all components are present.

1-800-457-5073 | [kfstudios.com](http://kfstudios.com)

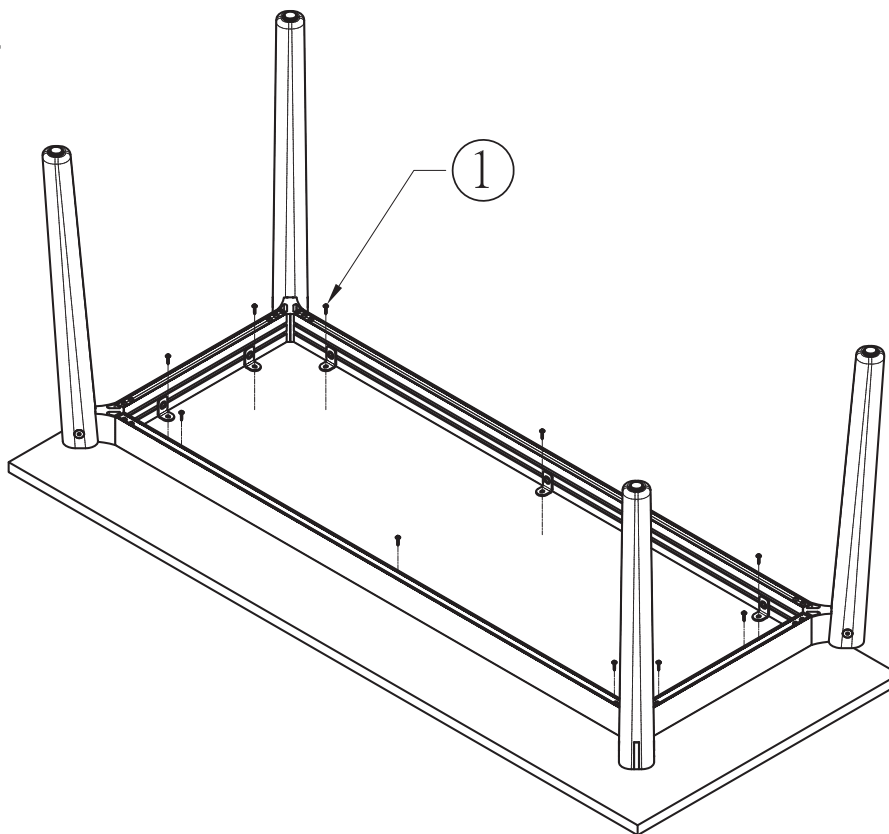
# KFi STUDIOS | Voodoo Rectangle BV3672-29 Table Assembly

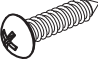
Step 3



Hardware	
1	 M6 x 12mm x10pcs
2	 M6 x10pcs
3	 x10pcs
4	 M6 x10pcs

Step 4



Hardware	
1	 $\phi\frac{3}{16}$ " x $\frac{7}{8}$ " x10pcs

Putting together your new table is easy! Please remove all items from box and ensure all components are present.

1-800-457-5073 | kfstudios.com