



# POPPY

## WIRELESS CHARGING



## DITCH THE CABLES

### FAST WIRELESS CHARGING MADE SIMPLE.

Ditch the cables and easily charge your device with the Qi wireless charger, Poppy from ECA by Dekko. This ten-watt wireless charging grommet offers a clean, round design in a matte faux leather finish that integrates seamlessly into a 2.5-inch grommet hole. After securely installed, simply connect Poppy into a power source and place your Qi-enabled device on top for quick, convenient and cord-free charging.



**FEATURES:**

**Mounting Capabilities**

In-Surface

**Applications**

Ancillary Furniture

Work Surfaces

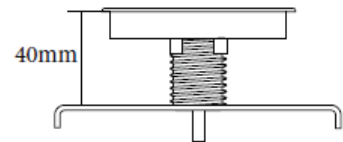
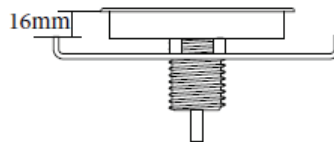
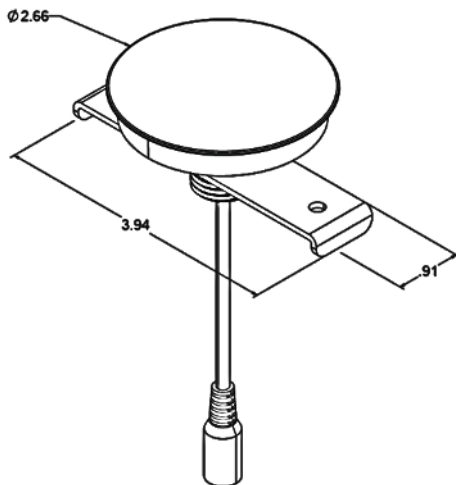
**Standard Finishes**

Black (Faux Leather)



**SPECIFICATIONS:**

- 1.8A/9V Input; 2A/9V Output AC Adapter
- Fits Surface Thicknesses: 0.63" - 1.57" (16mm - 40mm)
- Table Cutout: 2.44" - 2.55" Diameter (62mm - 65mm)
- Capable of charging Qi 5W, iPhones 7.5W fast-charging, and Samsung 10W fast-charging devices
- Grommet Bracket, Screws, and 66-inch AC Adapter Included



**DESCRIPTION**

**FINISH**

**PART NUMBER**

• Poppy wireless charging grommet

Black

POP-B-72