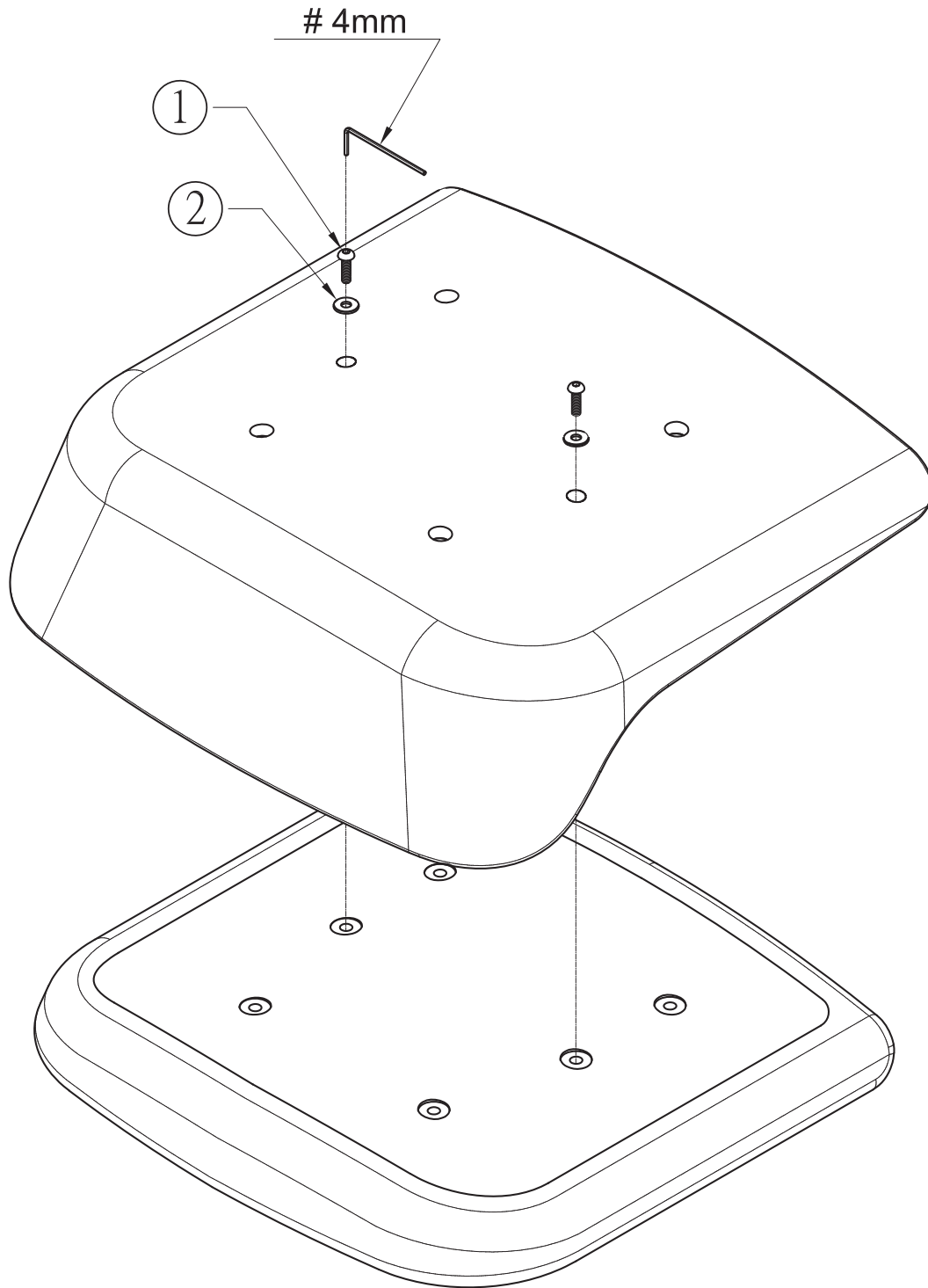
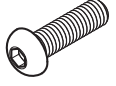



# KFi STUDIOS | Voodoo Barstool Assembly

## Step 1



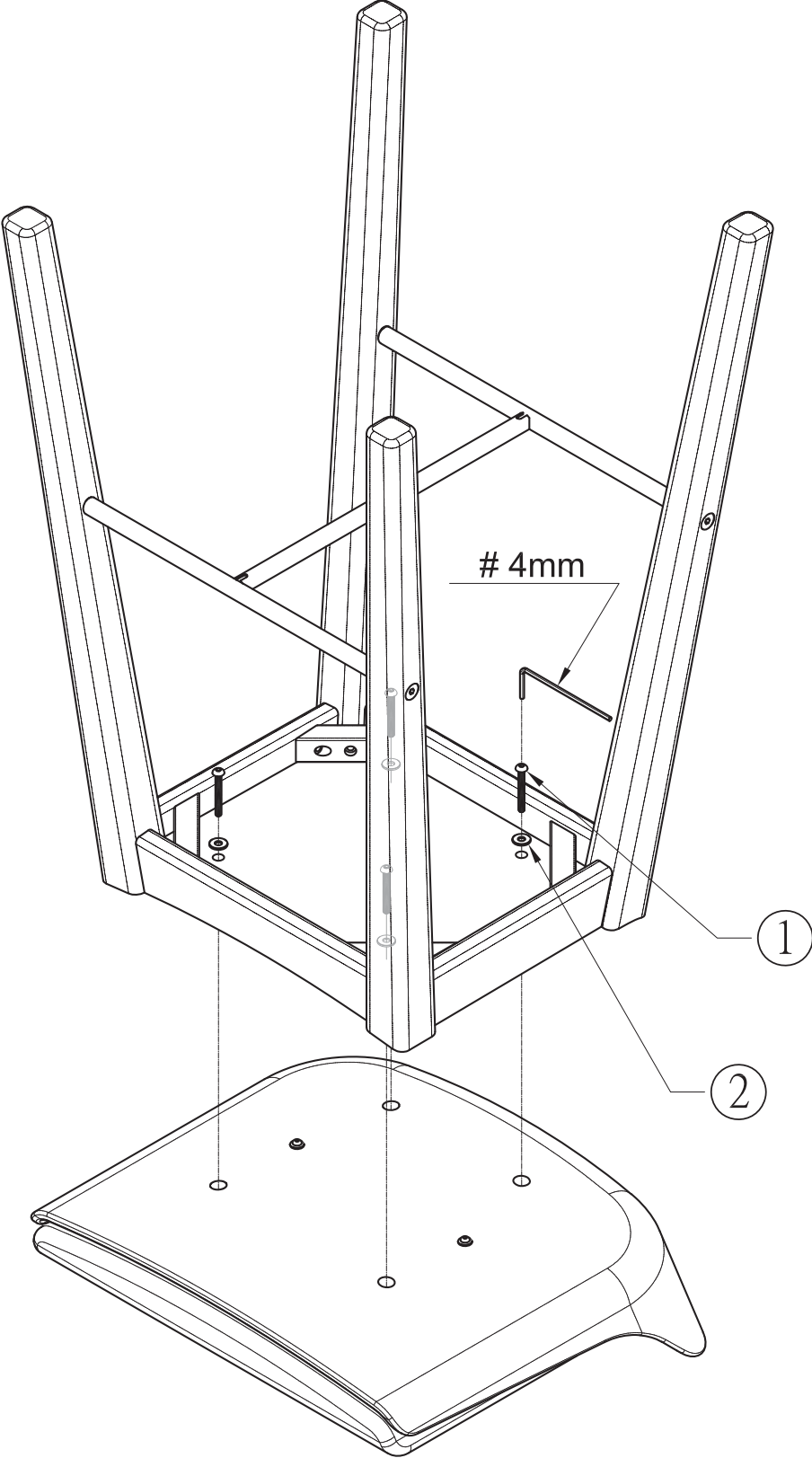
Hardware	
1	 M6 x 20mm x2pcs
2	 M6 x2pcs

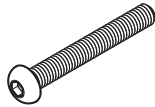

Putting together your new chair is easy! Please remove all items from box and ensure all components are present.

1-800-457-5073 | [kfstudios.com](http://kfstudios.com)

# KFi STUDIOS | Voodoo Barstool Assembly

Step 2



Hardware	
1	 M6 x 45mm x4pcs
2	 M6 x4pcs

Putting together your new chair is easy! Please remove all items from box and ensure all components are present.  
1-800-457-5073 | kfistudios.com