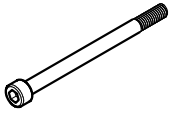


# KFi STUDIOS | Vaux Round Table Assembly

## Hardware

A M6 x 80mm (4)



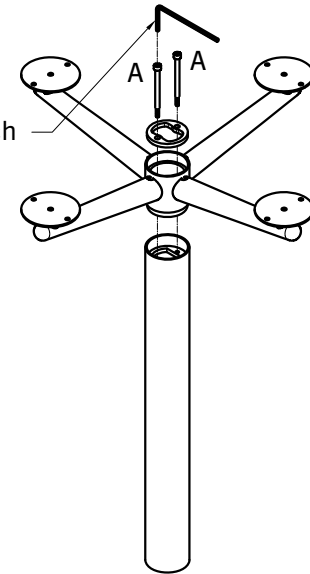
B  $\phi 3/16"$  x  $7/8"$  Screw (8)



C #5mm Allen Wrench (1)

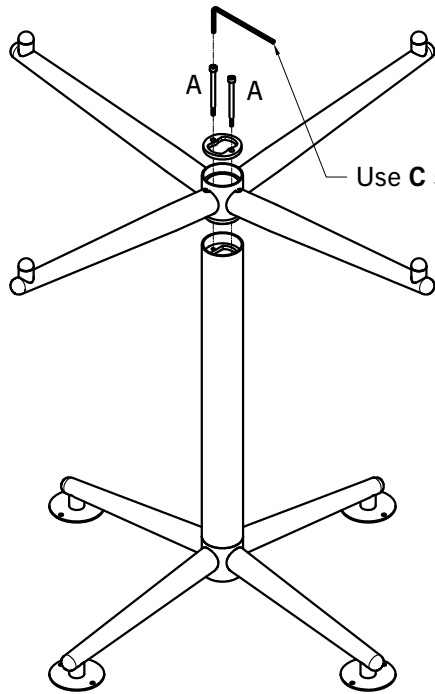
## Step 1

Use C 5mm Allen Wrench

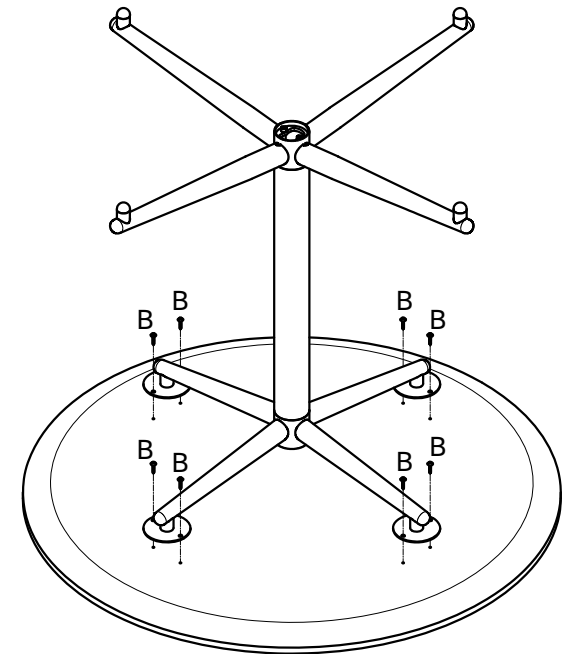


## Step 2

Use C 5mm Allen Wrench



## Step 3



Putting together your new table is easy! Please remove all items from box and ensure all components are present.

1-800-457-5073 | [kfstudios.com](http://kfstudios.com)

# KFi STUDIOS | Vaux Round Table Assembly

## Optional hook accessory

Center hooks between bracket arms for stability as shown.

