



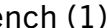
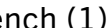
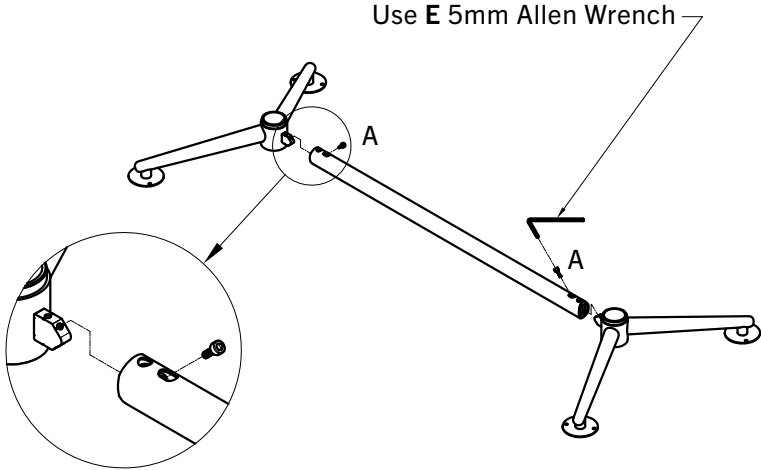


KFi STUDIOs | Vaux Assembly

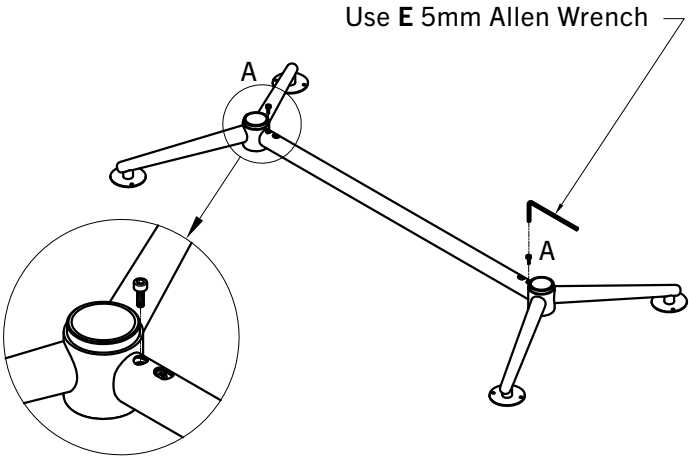
Hardware

- A M6 x 16mm (8) 
- B M6 x 80mm (8) 
- C M6 x 16mm (2) 
- D $\phi 3/16'' \times 7/8''$ Screw (12) 
- E #5mm Allen Wrench (1) 
- F #4mm Allen Wrench (1) 

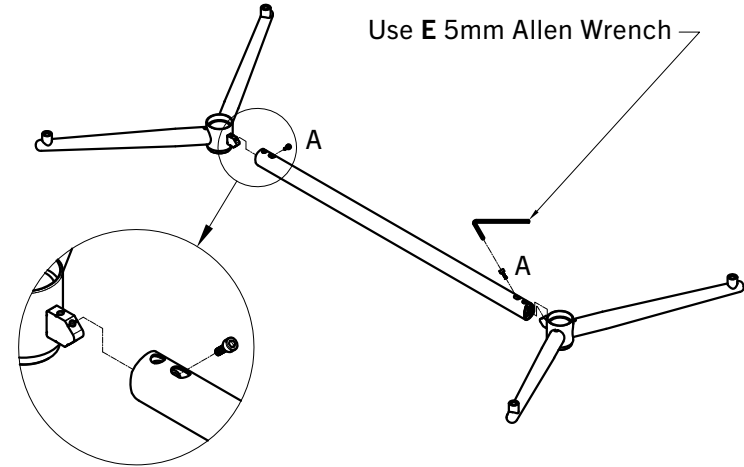
Step 1



Step 2



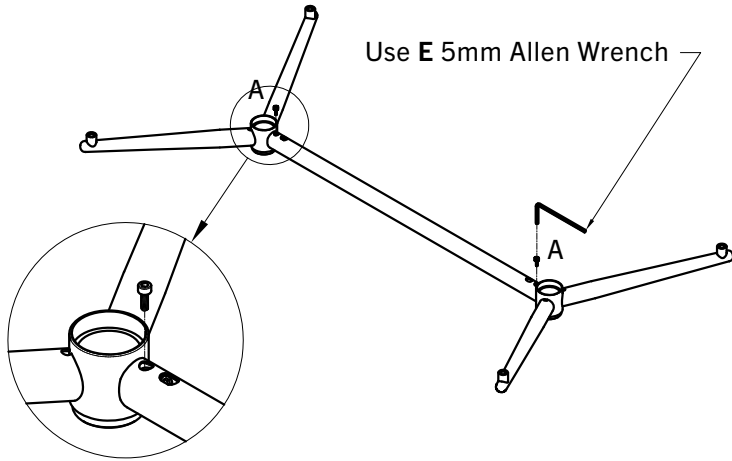
Step 3



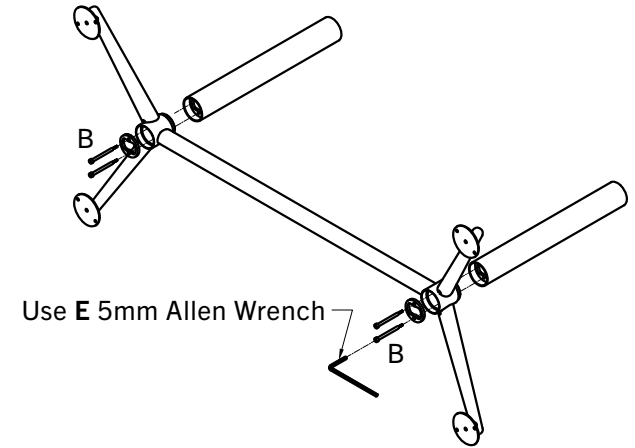
Putting together your new table is easy! Please remove all items from box and ensure all components are present.
1-800-457-5073 | kfstudios.com

KFi STUDIO | Vaux Assembly

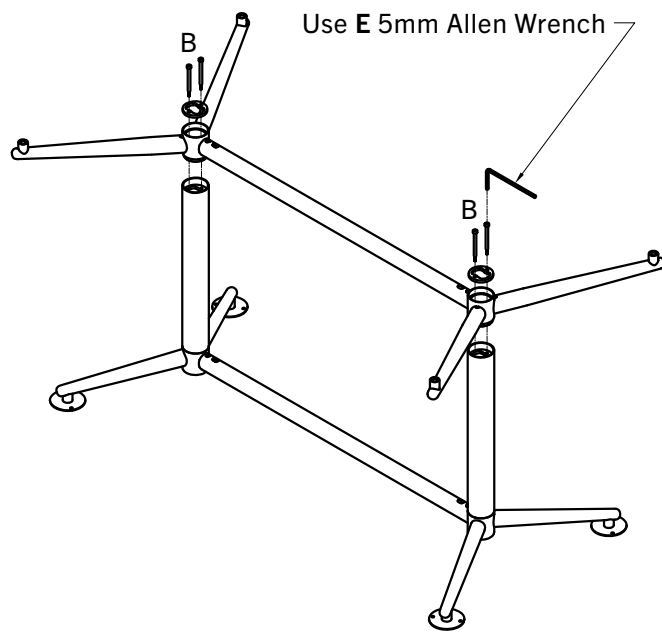
Step 4



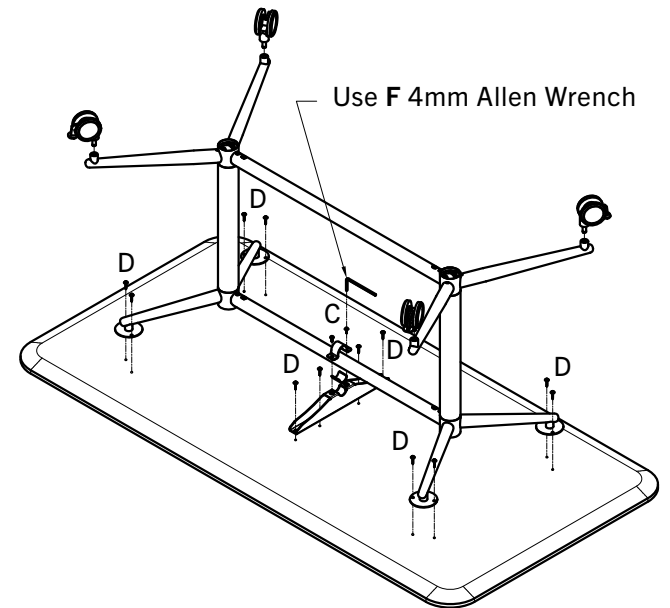
Step 5



Step 6



Step 7



Putting together your new desk is easy! Please remove all items from box and ensure all components are present. 1-800-457-5073

KFi STUDIOS | Vaux Assembly

Optional hook accessory

Center hooks between bracket arms for stability as shown.

