

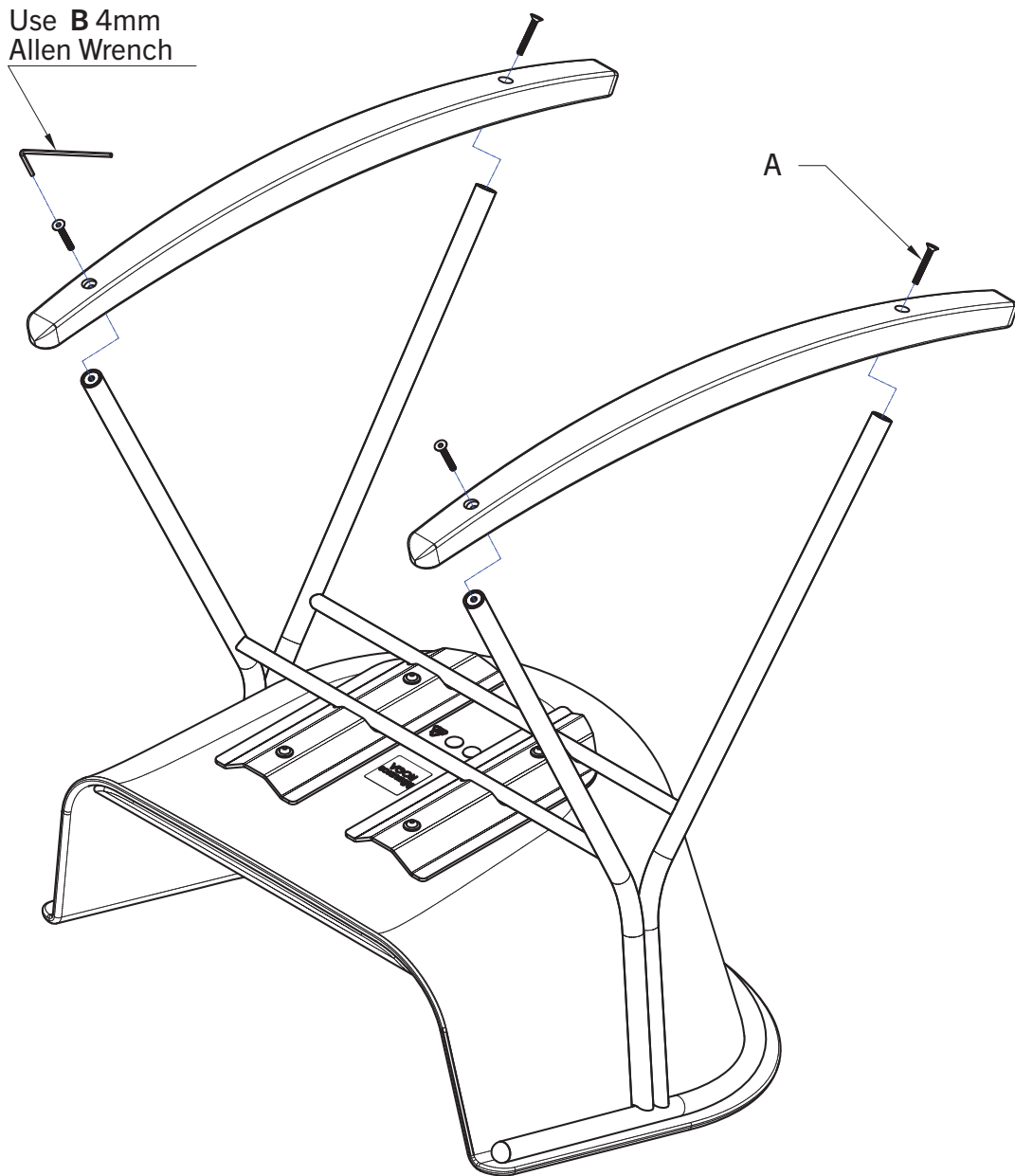
KFi STUDIOS | Roqa Rocker RK2800 Assembly

Hardware

A M6 x 40mm Long Bolt (4)



B #4mm Allen Wrench (1)



Putting together your new chair is easy! Please remove all items from box and ensure all components are present.

1-800-457-5073 | kfstudios.com