




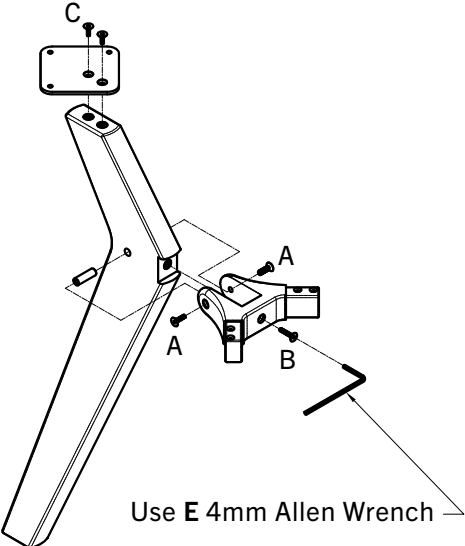


KFi STUDIOs | Rang Assembly

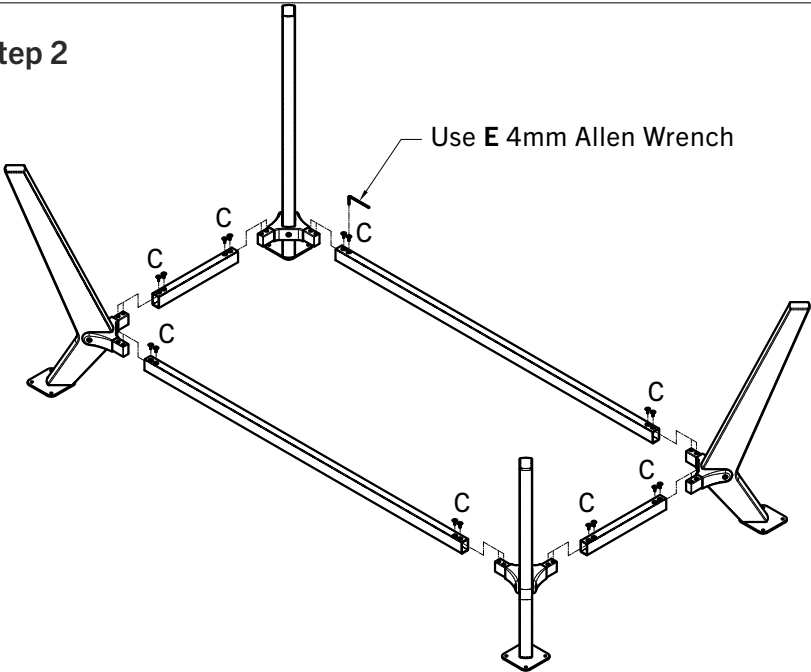
Hardware

- A M6 x 20mm (8) 
- B M6 x 30mm (4) 
- C M6 x 16mm (24) 
- D $\phi 3/16$ " x $7/8$ " Screw (12) 
- E #4mm Allen Wrench (1) 

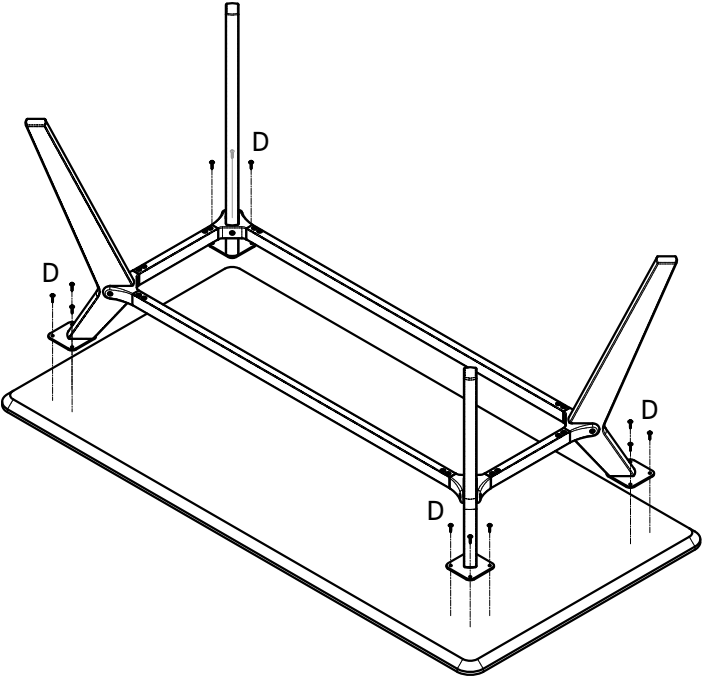
Step 1



Step 2



Step 3



Putting together your new table is easy! Please remove all items from box and ensure all components are present.