

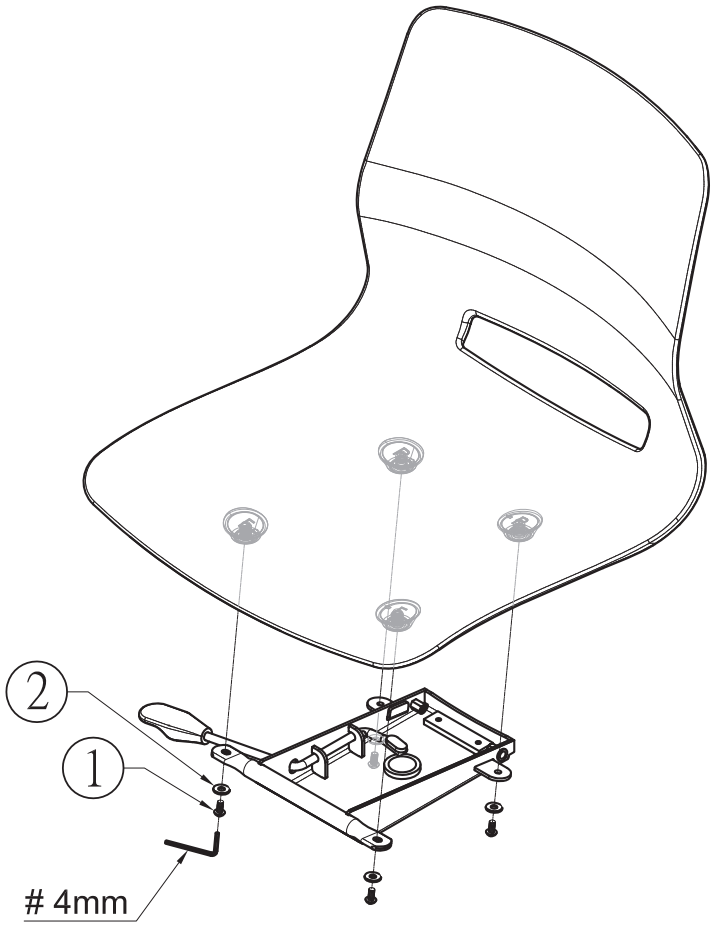


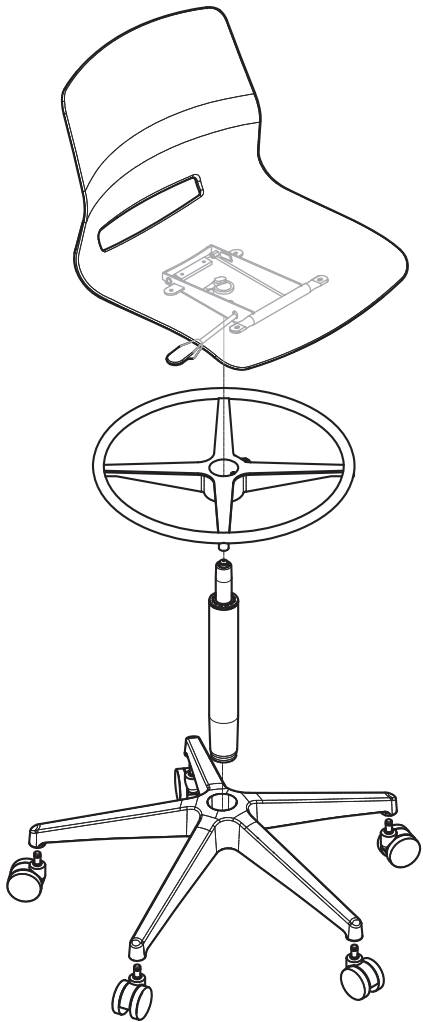
KFi STUDIO*S* | Imme DS2700 Assembly

Hardware	
1	2
	
M6x16mm x4	M6 x4

Step 1



Step 2



Putting together your new chair is easy! Please remove all items from box and ensure all components are present.
1-800-457-5073 | kfistudios.com