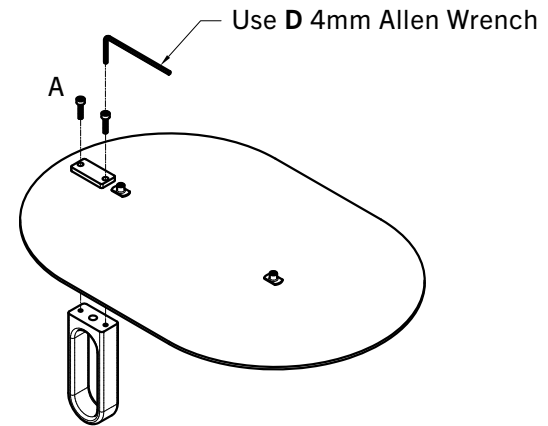


KFi STUDIOs | Alden Assembly

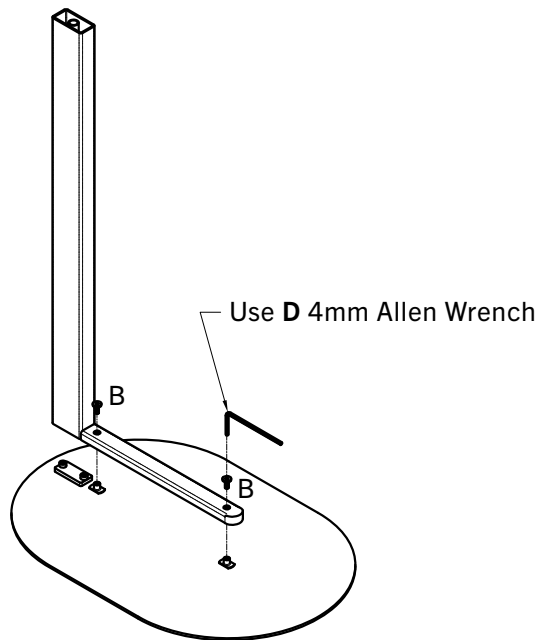
Hardware

- A M5 x 20mm (2) 
- B M6 x 10mm (2) 
- C M8 x 60mm (1) 
- D #4mm Allen Wrench (1)
- E #5mm Allen Wrench (1)

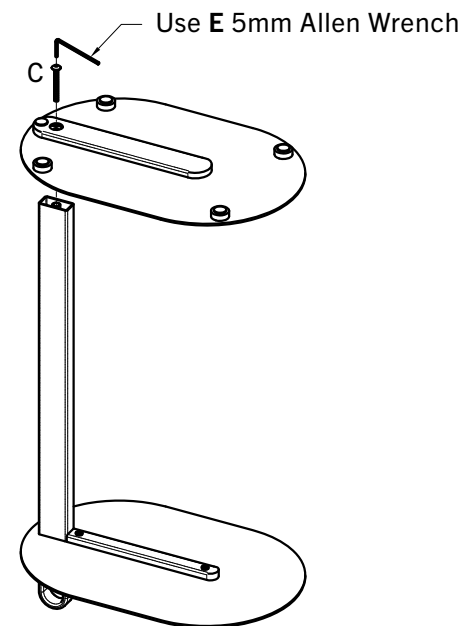
Step 1



Step 2



Step 3



Putting together your new table is easy! Please remove all items from box and ensure all components are present.

1-800-457-5073 | kfstudios.com