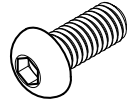


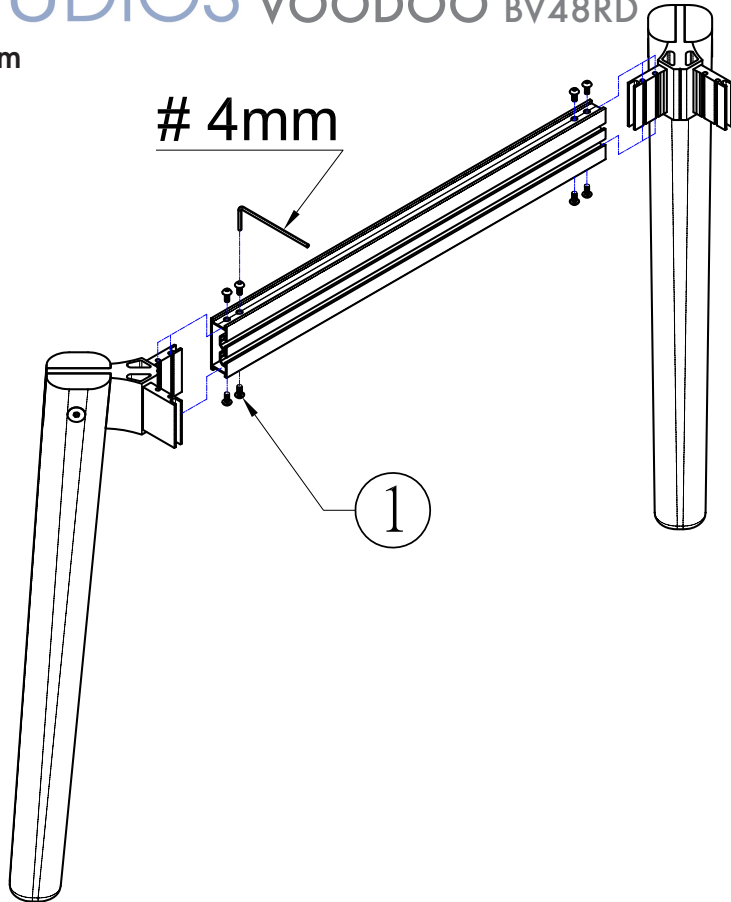
Hardware

1

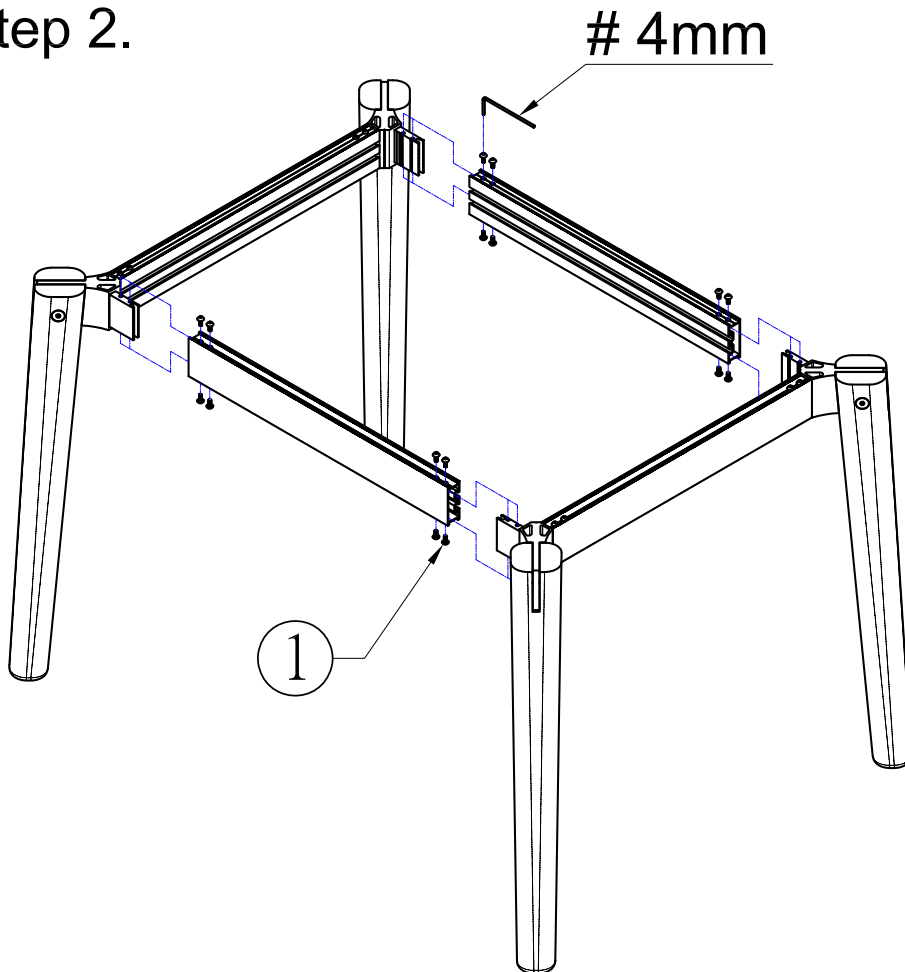


M6 x 12mm x8pcs

Step 1.

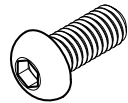


Step 2.



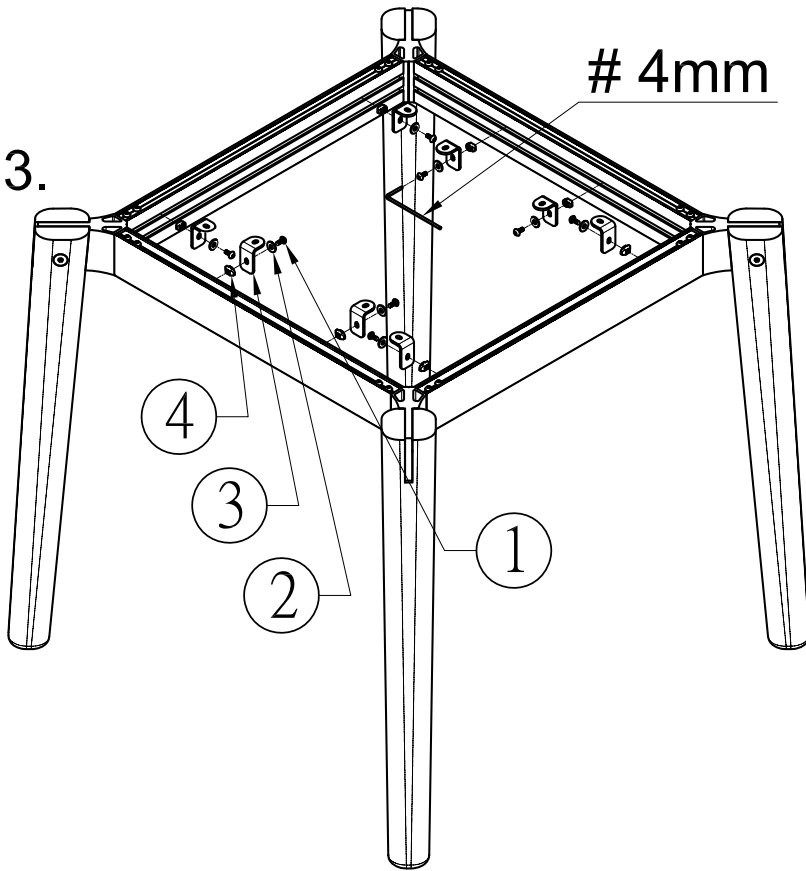
Hardware

1



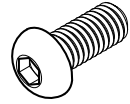
M6 x 12mm x16pcs

Step 3.



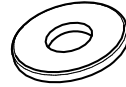
Hardware

1



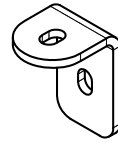
M6 x 12mm x8pcs

2



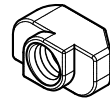
M6 x8pcs

3



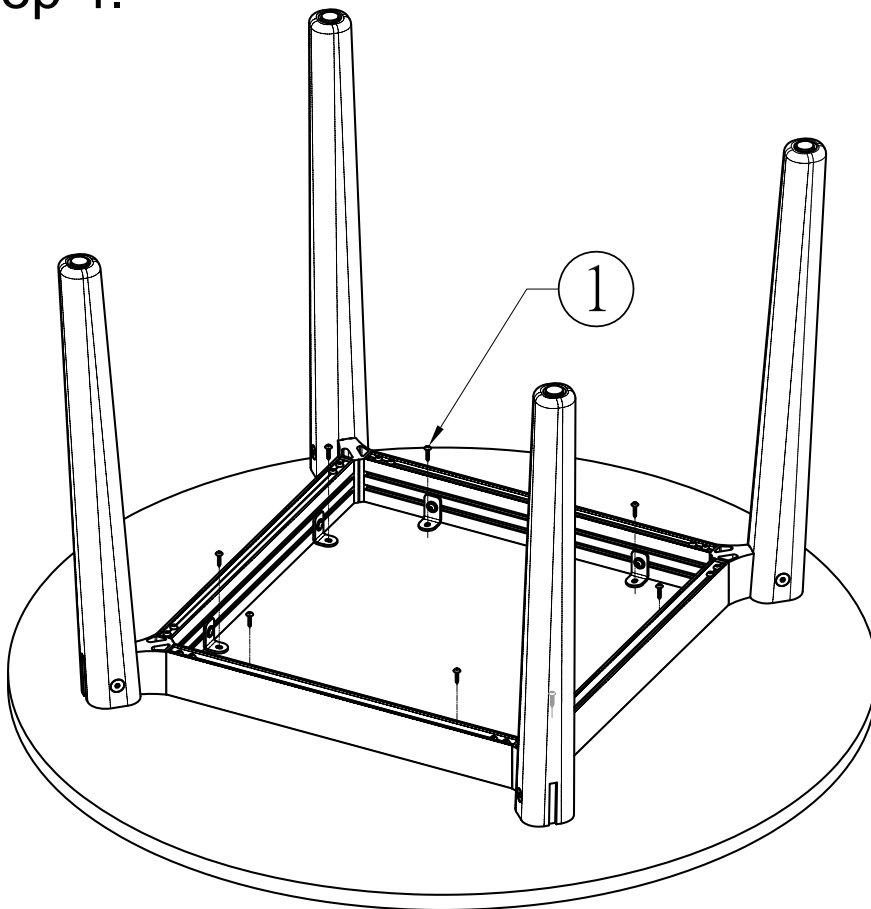
x8pcs

4



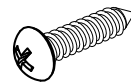
M6 x8pcs

Step 4.



Hardware

1



$\phi\frac{3}{16}$ " x $\frac{7}{8}$ " x8pcs