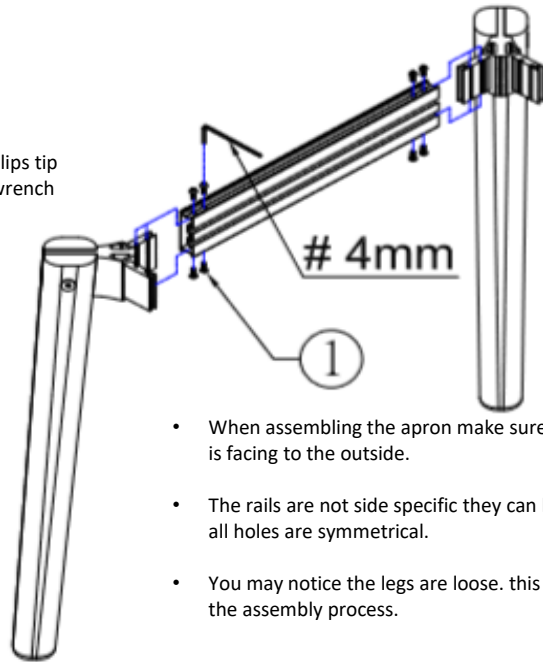


#### Step 1.

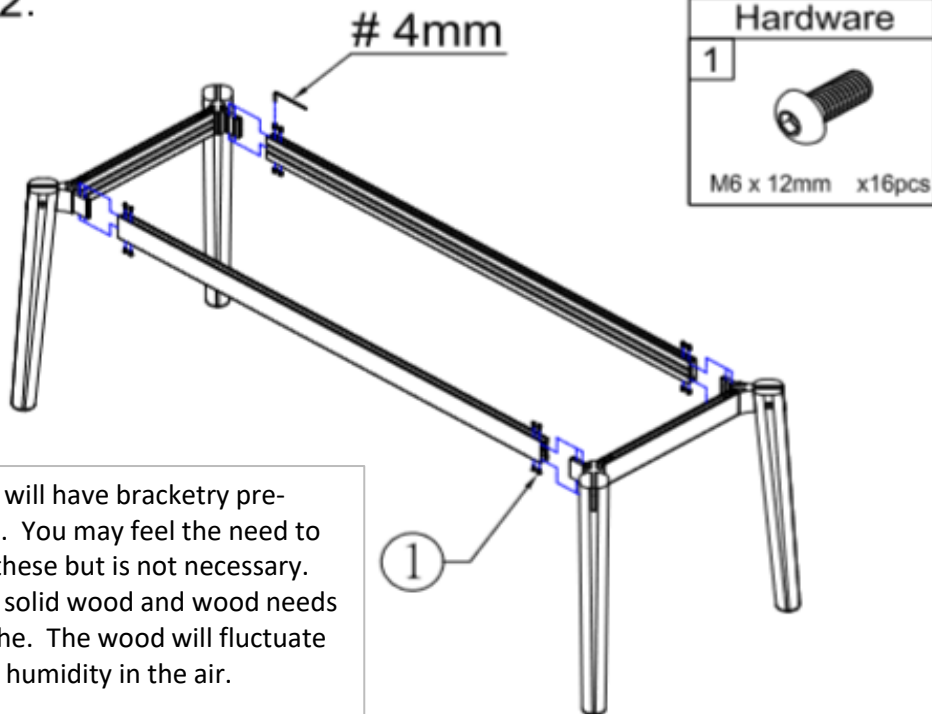
Tools required

- Drill with #2 Phillips tip
- 4mm allen key wrench

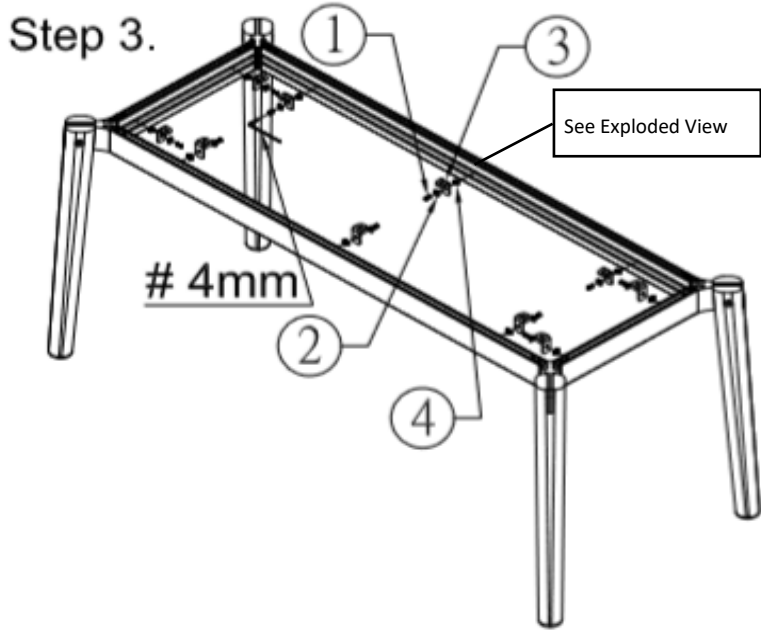






- When assembling the apron make sure the flat side of the apron is facing to the outside.
- The rails are not side specific they can be used on either end as all holes are symmetrical.
- You may notice the legs are loose. this will be resolved later in the assembly process.

#### Step 2.



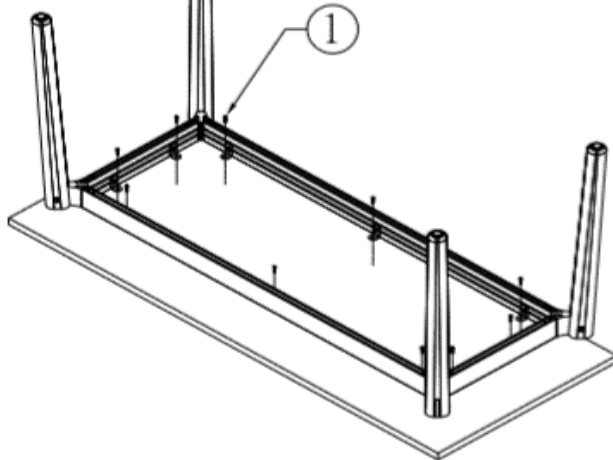
The legs will have bracketry pre-installed. You may feel the need to tighten these but is not necessary. Legs are solid wood and wood needs to breathe. The wood will fluctuate with the humidity in the air.




Hardware	
1	 M6 x 12mm x10pcs
2	 M6 x10pcs
3	 x10pcs
4	INSERT  M6 x10pcs

### Step 4.

Lay a protective layer down to place top on, with bottom facing up. Center the frame on the top by measuring equal distances from each edge to the apron.



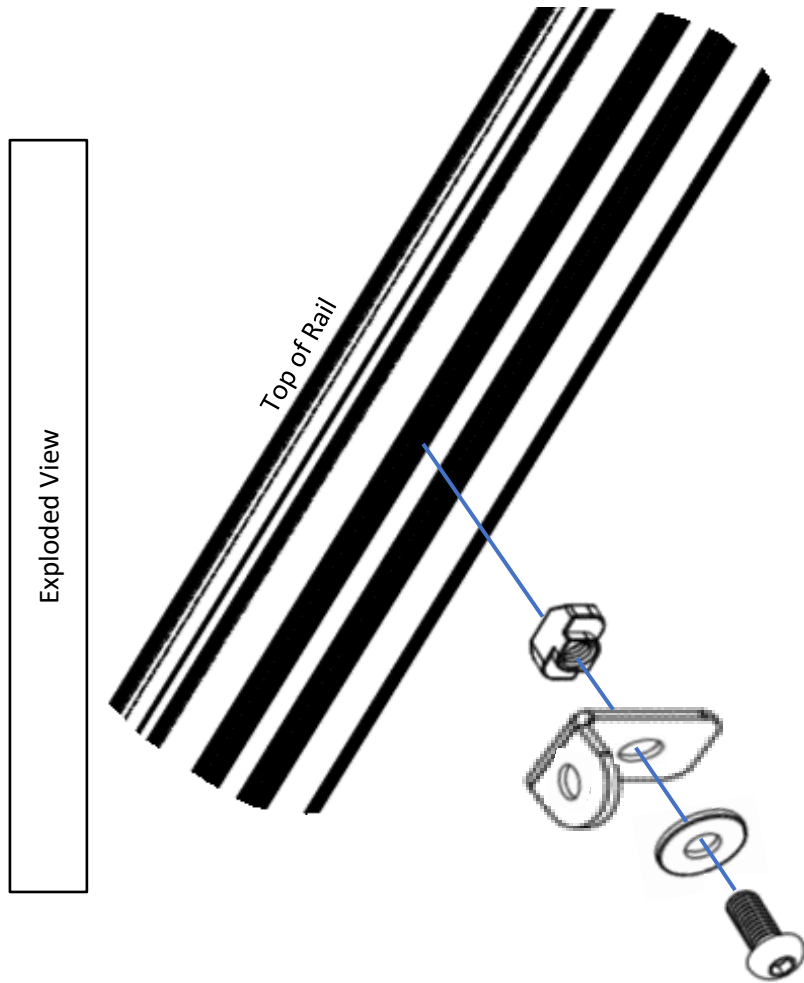
Hardware	
1	 $\phi \frac{7}{16}'' \times \frac{7}{8}''$ x10pcs

- Once centered slide previously attached insert assembly to desired position (see attached picture) and tighten the allen head to finish step 3 completely.
- Use a #2 phillips head screw tip in a drill to attach the frame to the table top.
- With help turn table upright.
- At this point there is nothing else to do but

kfi STUDIOS

VOODOO

Table



**NOTE:** The insert should be inserted as pictured. A little pressure is needed to push into the slot. Once the screw is inserted and turned the insert will turn 90\* into a vertical position. Note the insert can be slid into desired position before actually tightening down the screw. Do not tighten the screw down at this point just hand tighten so it can be adjusted during next step.