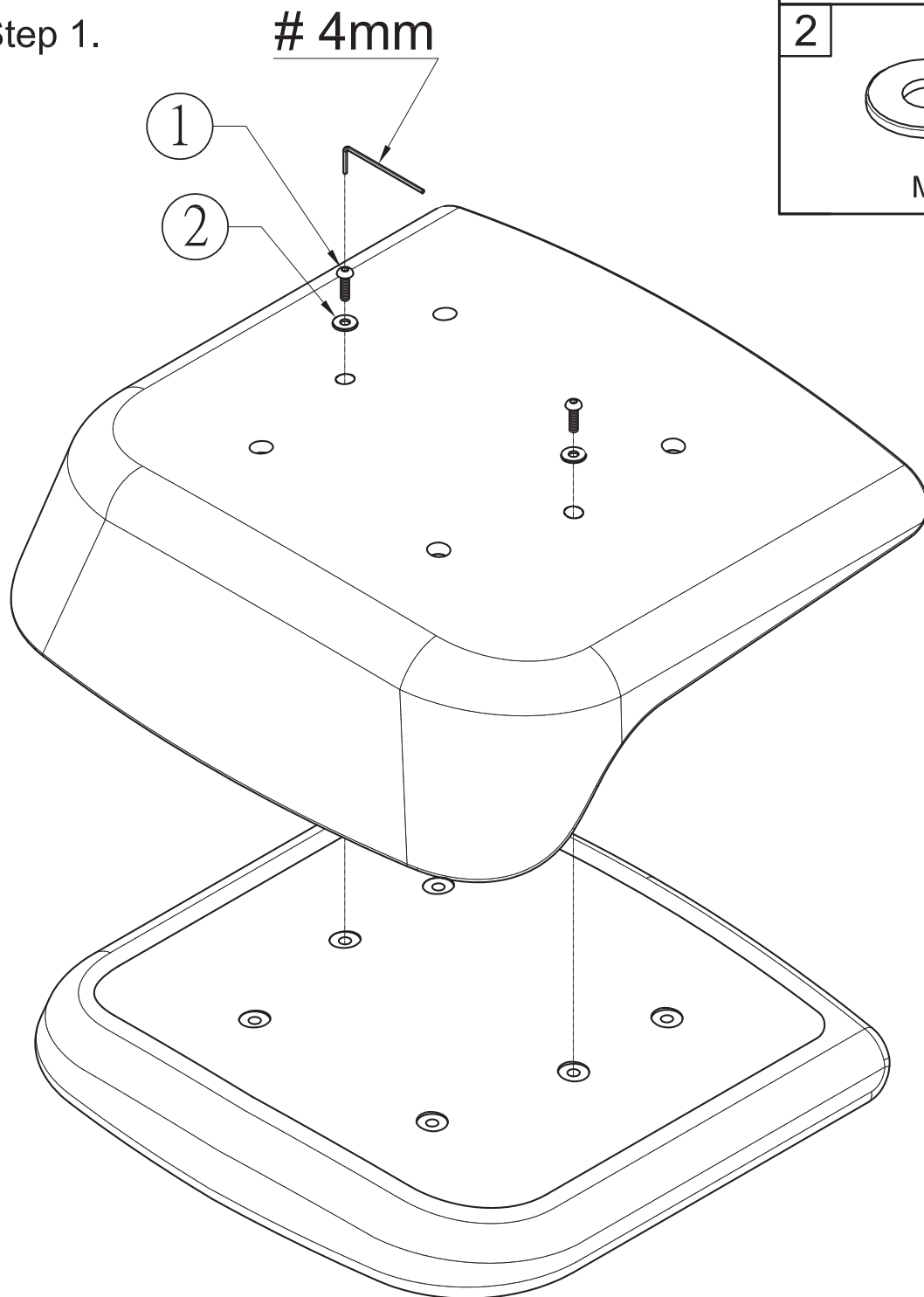
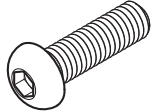
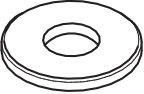


## VOODOO Stool

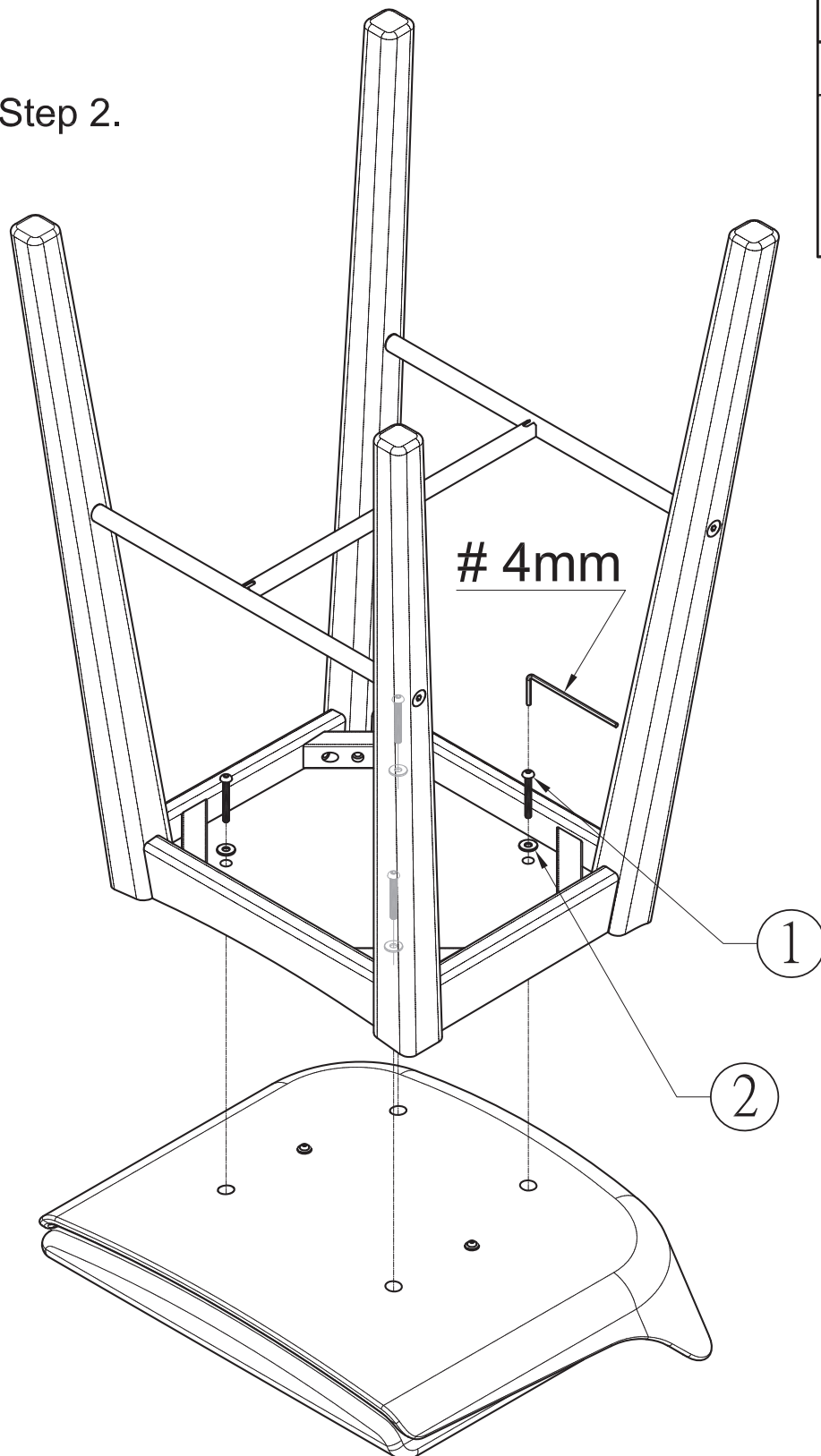
Step 1.

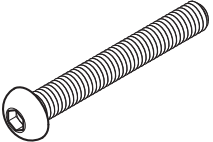



Hardware	
1	 M6 x 20mm x2pcs
2	 M6 x2pcs

## VOODOO Stool

Step 2.



Hardware	
1	 M6 x 45mm x4pcs
2	 M6 x4pcs