

Components for Standard Tables

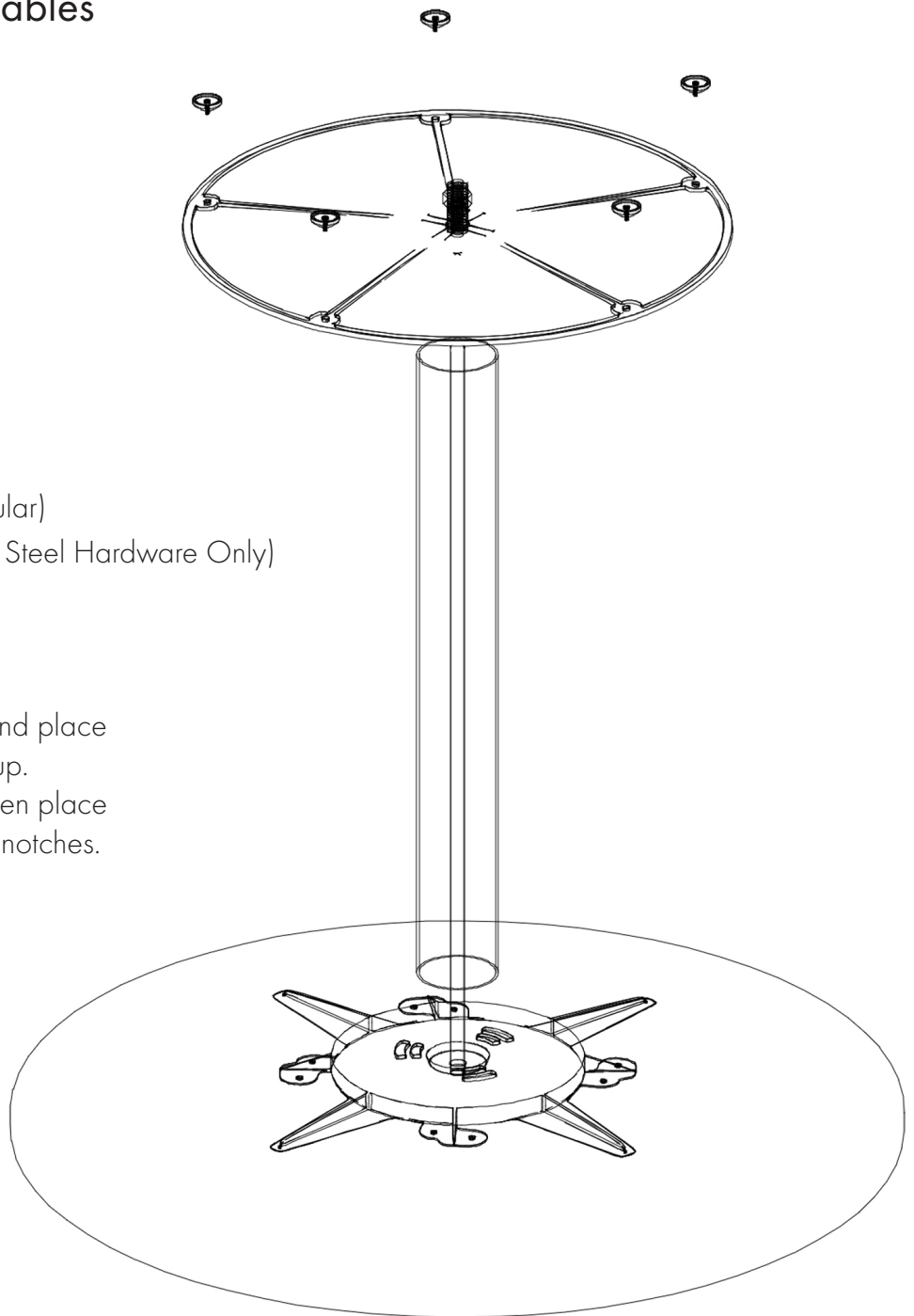
- Table Top (1)
- Rod (1)
- Base (1)
- Column (1)
- Spider (1)

Hardware

- Screws
- Large Washer
- Small Washer
- 9x1 - 14 Nut
- Glides (4 for Cross Base, 5 for Circular)
- Pan Head Wood Screws (Stainless Steel Hardware Only)

Table Assembly Instructions

1. Set table top on floor face down.
2. Pierce rod through center of spider and place on table top with thread end facing up.
3. Slide column over rod onto spider, then place column over rod centering on spider notches. Cover bar on top side.
4. Place the base on its side, pressing rod through cylinder.
5. Start the nut on the threads. Through center, apply flat washer, lock washer, then nut. While tightening hold tension on the rod to prevent spinning.
6. Thread glides onto base and place the base assembly on the center of the table top and fasten down.
7. Flip table onto base and enjoy!



Putting together your new table is easy!

Please remove all items from box and ensure all components are present.