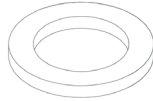


## Components for Table

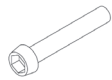
- Washer (8)



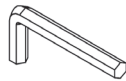
- Lock Washer (8)



- Socket Bolt (8)



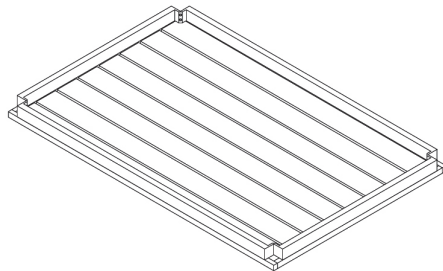
- Allen Wrench (1)



- Leg (4)

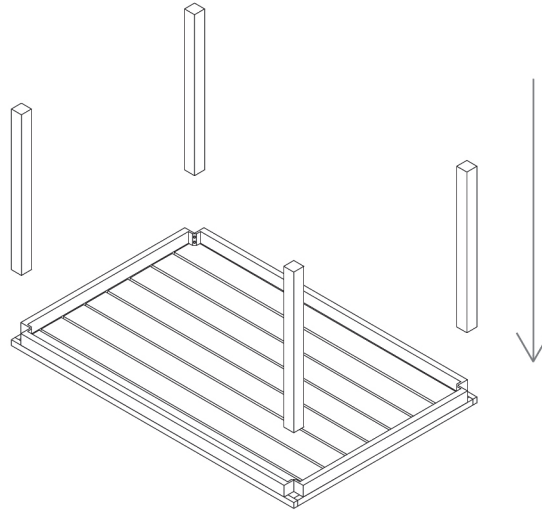


- Top (1)

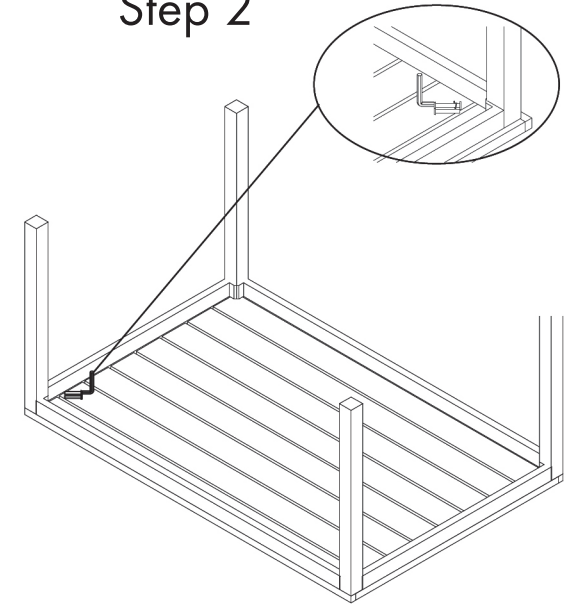


Putting together your new table is easy!  
Please remove all items from box and ensure  
all components are present.

### Step 1



### Step 2



### Step 3

