

Hardware

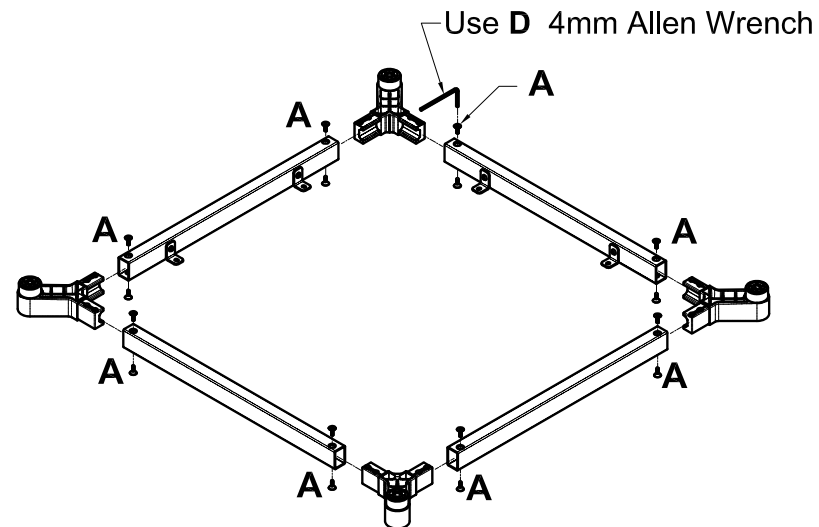
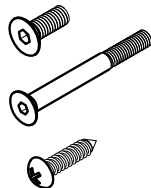
A M6 x 16mm (16)

B M8 x 75mm (4)

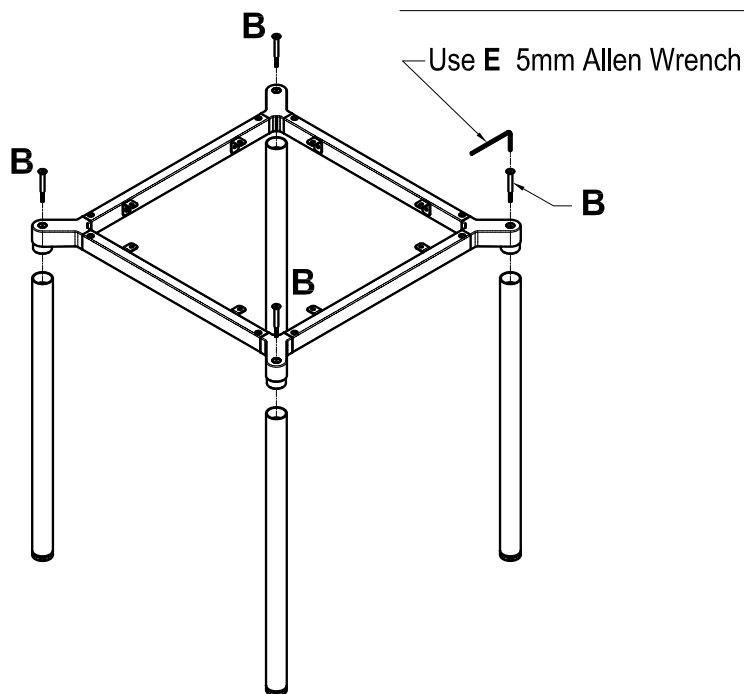
C 3/16"x 3/4" Screw (8)

D #4mm Allen Wrench (1)

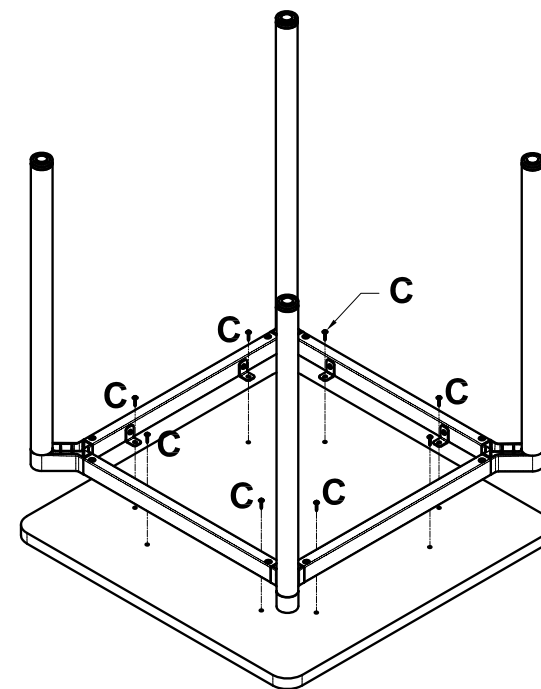
E #5mm Allen Wrench (1)



Step 1



Step 2



Step 3